

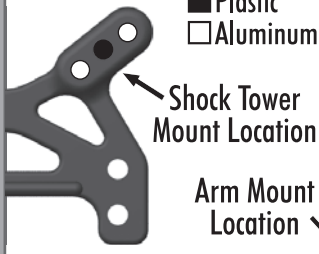
RC18B2

For more setups and setup sheets, click here:
www.RC10.com • www.TeamAssociated.com

Driver: Team Associated Date: _____
 Track: _____ Indoor Outdoor
 Event: _____
 Conditions: _____
 Additional Comments: _____

Front Suspension

Front Tower:
 Plastic
 Aluminum



Shock Tower Mount Location

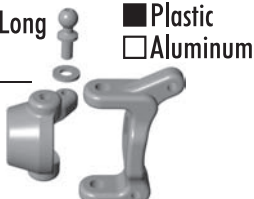
Arm Mount Location

Front Arm:
 Plastic Aluminum

Upright


Ballstud: Short Long
 Ballstud Washers: 0

Steering Block:
 Plastic
 Aluminum



Caster Block:
 Plastic
 Aluminum

Shocks



Piston: std Oil: 30 wt
 Spring: blue Limiters: 0
 Ride Height: _____ mm
 Shock Body: Plastic Threaded Aluminum

Anti-Roll Bar

0.75mm
 1.0mm

Alignment

Camber: _____°
 Inner Camber Shims: _____
 Toe: _____°

Differential

Gear Diff
 Ball Diff Setting: _____


Drivebones

Plastic Dogbones
 Aluminum Dogbones
 MIP CVD's

Notes: _____

Rear Suspension

Rear Tower:
 Plastic
 Aluminum



Shock Tower Mount Location

Arm Mount Location

Rear Arm:
 Plastic Aluminum

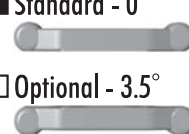
Upright

Hub Carrier:
 Plastic
 Aluminum




Anti-Squat

Standard - 0°
 Optional - 3.5°



Shocks



Piston: std Oil: 30 wt
 Spring: silver Limiters: 0
 Ride Height: _____ mm
 Shock Body: Plastic Threaded Aluminum

Anti-Roll Bar

0.75mm
 1.0mm

Alignment

Camber: _____°
 Inner Camber Shims: _____
 Toe: _____°

Differential

Gear Diff
 Ball Diff Setting: _____

Drivebones

Plastic Dogbones
 Aluminum Dogbones
 MIP CVD's

Notes: _____

Body & Wing

Body: _____ Wing: _____
 Notes: _____

Tires

Front	Rear
Type: _____	Type: _____
Insert: _____	Insert: _____
Wheel: _____	Wheel: _____
Traction Compound: _____	
Notes: _____	

Electronics

Motor: _____ Gear: _____ t/ _____ t
 Motor Brush: _____ Motor Spring: _____
 Motor Timing: _____
 Battery: _____ Position: Fwd Back
 ESC: _____ Mode: _____
 Drag Brake: _____ Initial Brake: _____

Race Comments

Main: _____ Qualifying Position: _____ Finish: _____
 Notes: _____

Car Comments

Notes: _____

