

RC18

1:18 Scale 4wd Electric Vehicles

Instruction Manual

June '07

RC18T

RTR 4wd Mini Truck #20100



Prebuilt, Ready to Run 4wd Race Truck!
Includes the following options:

- Mini-Pin Racing Tires
- White Dish Racing Wheels
- Super-370 Size Motor
- Choice of Red or Blue Pre-Painted Race Truck Bodies
- Individual Servo, ESC & Receiver
- 1100mah Battery & Wall Charger

Factory Team RC18T

4wd Mini Truck Kit #20102



Unbuilt kit with no electronics. Includes the following
Factory Team option parts:

- Blue Aluminum Dogbones
- Blue Aluminum Finned Motor Mount
- Carbide Differential Balls
- Blue Woven Graphite Battery Strap
- Blue Aluminum Threaded Shocks
- Blue Aluminum Wheelnuts
- Titanium Turnbuckles
- Clear Body, Decals & Window Masks
- Includes Extra Hitec Servo Saver
- Includes a 12t, 13t & 14t Pinion

RC18MT

RTR 4wd Monster Truck #20110



Prebuilt, Ready to Run 4wd Monster Truck!
Includes the following options:

- Large, AE Pattern Monster Truck Tires
- Chrome Monster Truck Wheels
- Super-370 Size Motor
- American Flag-Design Monster Truck Body
- Individual Servo, ESC and Receiver
- Bed-Mounted AE-Logo Flag
- 1100mah Battery & Wall Charger

RC18B

RTR 4wd Mini Buggy #20105



Prebuilt, Ready to Run 4wd Race Buggy!
Includes the following options:

- Mini-Pin Racing Tires
- White Spoked Racing Wheels
- Super-370 Size Motor
- Choice of Red or Orange Pre-Painted Buggy Bodies
- Individual Servo, ESC & Receiver
- 1100mah Battery & Wall Charger

Factory Team RC18B

4wd Mini Buggy Kit #20107



Unbuilt kit with no electronics. Includes the following
Factory Team option parts:

- Blue Aluminum Dogbones
- Blue Aluminum Finned Motor Mount
- Carbide Differential Balls
- Blue Woven Graphite Battery Strap
- Blue Aluminum Threaded Shocks
- Blue Aluminum Wheelnuts
- Titanium Turnbuckles
- Clear Body, Decals & Window Masks
- Includes Extra Hitec Servo Saver
- Includes a 12t, 13t & 14t Pinion

RC18R

RTR 4wd Road/Rally Sedan #20115: Kamino #20116: Citroen Xsara #20117: Mitsubishi Lancer #20118: Niteline



Prebuilt, Ready to Run 4wd Rally Sedan!
Includes the following options:

- AE AT Treaded Tires
- Spoked Racing Wheels
- Super-370 Size Motor
- Narrow width for quicker handling
- Choice of Mitsubishi Lancer, Citroen Xsara or Kamino Bodies in Realistic Racing Paint Schemes
- Individual Servo, ESC & Receiver
- 1100mah Battery & Wall Charger

Thank you for choosing Team Associated.

Team Associated wants you to enjoy driving and maintaining of your new RC Car. If you come across any problems or need help with the maintenance of your RC Car, please give us a call and we will do our very best to help you.

The RTR

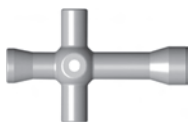
Your new RC Car comes factory assembled with radio gear and battery. You will need to purchase 8 AA batteries for your transmitter. Please see the Quick Start Guide for installing your AA batteries.

The Manual

Examine each step carefully before building. Special notes for each step will be marked with a ▼.

Certain steps will notate left and right sides of the vehicle. For assembly, the left side of the vehicle is the 'driver' side of the car....it would be built as if you are sitting in the driver's seat.

recommended tools for assembly and maintenance



4-way wrench
(included)



hex wrench, 1.5mm, 3/32"
(included)



#1 Phillips screwdriver

items required to operate your vehicle

AA Size Battery

8 AA size batteries

Customer Support

Tel: 949.544.7500

Fax: 949.544.7501

Hours: 8:00am - 4:00pm, pst

<http://www.rc10.com>

<http://www.TeamAssociated.com>



recommended servo list

using kit mount:

XP C1016 • ACE C1016 • Airtronics 94091
Futaba S3106

using optional mount (part # 21049, included in FT kit):

Hitec HS-56HB

Chassis Specs

	18T	18MT	18B	18R
Length:	218mm	225mm	235mm	270mm
Width:	182mm	188mm	182mm	142mm
Wheelbase:	154mm	154mm	154mm	154mm
Internal Gear Ratio:	2.5:1	2.5:1	2.5:1	2.5:1
Weight (w/body):	540g	605g	541g	562g
Drivetrain:	Shaft drive	Shaft drive	Shaft drive	Shaft drive

► Bag A - Step 1



21041, qty 1
servo saver



21050, qty 1
steering bellcrank



21082, **21241**, qty 2
ball stud, 5mm



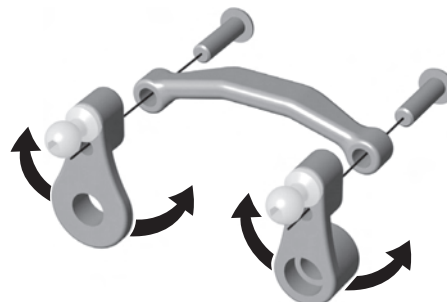
► Step 2



21041, qty 2
M2.5 x 9 bhps



21050, qty 1
steering drag link



▼ should be 'free' movement

► Step 3



21041, qty 1
M2.0 x 9 bhps
XP/Futaba



21041, qty 1
servo saver bushing
XP/Futaba



21041, qty 1
servo saver spring



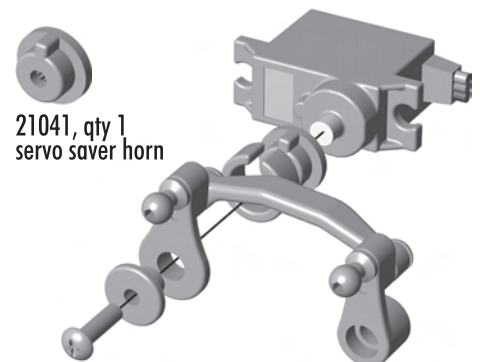
21041, qty 2
M2.5 x 9 bhps
Sanwa/Airtronics



21049, qty 1
aluminum servo saver bushing
Hitec/Sanwa/Airtronics



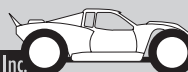
21041, qty 1
servo saver horn



▼ if you are using a Hitec HS-56 servo, please refer to the Hitec servo saver bag for detailed instructions on installing the Hitec servo saver assembly (FT Kit only)

Associated Electrics, Inc.

26021 Commercentre Dr.
Lake Forest, CA 92630-8853 USA



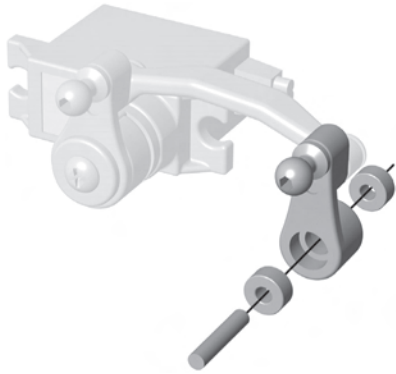
▶ Step 4



21050, qty 2
steering bellcrank
bushing



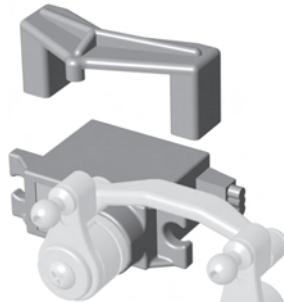
21050, qty 1
steering bellcrank
hinge pin



▶ Step 5



21040, qty 1
servo mount



! if you are using a Hitec HS-56 servo,
please refer to the Hitec servo bag
for detailed instructions on installing the
servo with the Hitec mount

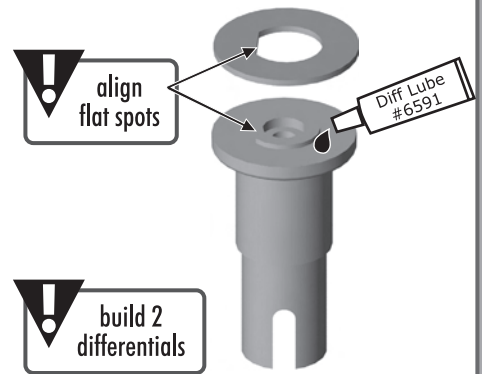
▶ Bag B - Step 1



21027, qty 1
diff outdrive (long)



21115, qty 1
diff drive ring



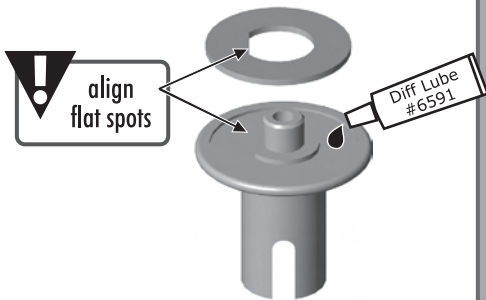
▶ Step 2



21027, qty 1
diff outdrive (short)



21115, qty 1
diff drive ring



▶ Step 3



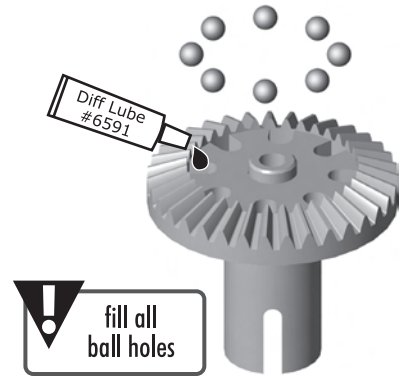
21022, qty 1
diff gear



▶ Step 4



21115, **21116***, qty 8
diff balls, 2mm



▶ Step 5



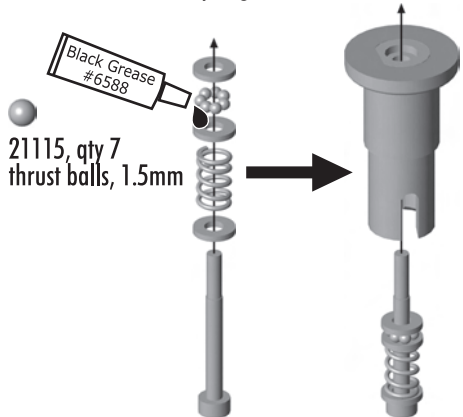
21115, qty 3
thrust washer



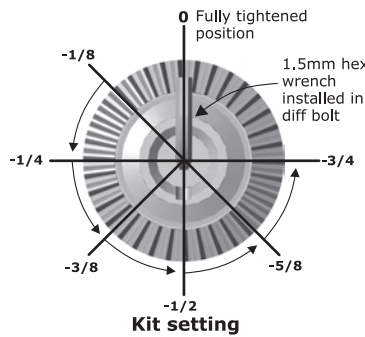
21115, qty 1
diff spring



21115, qty 1
diff bolt



▶ Step 6



! Do not over-tighten
diff bolt!

When fully compressed,
set at 1/2 turn out
(see diagram)

▶ Step 7



21027, qty 1
dogbone spring
cup



21106, qty 2
8 x 12 x 3.5 bearing
cup



21141, qty 2
18T diff shim



▶ Bag C - Step 1

21001, qty 1 chassis

21025, qty 2 gearbox cases

21077 55t, qty 1
21078 60t(std), qty 1 gear cover

25196, qty 2 M2 x 8 fhps

see gearing chart, page 11

▶ Step 2

25196, qty 2 M2 x 8 fhps

▶ Step 3

note direction of differentials

▶ Step 4

21022, qty 2 input bevel gear

21033, qty 1 55t spur gear
21035, qty 1 (std) 60t spur gear

21089, qty 1 main driveshaft

21105, qty 2 4 x 8 x 3 bearing

21106, qty 1 8 x 12 x 3.5 bearing

▶ Step 5

21133, qty 2 M2.5 x 6 bhps

▶ Bag D - Step 1

21082, **21241**, qty 2 ballstud, 5mm

21017, **21221**, qty 1 18T/18MT shock tower, front

21245, **21265**, qty 1 18B shock tower, front

21286, qty 1 18R shock tower, front

25180, qty 2 m3x8mm bhps (18R)

21287, qty 2 18R body mount

18T & 18MT

18B

18R

x2

front

▶ Step 2

21082, **21241**, qty 2 ballstud, 5mm

21017, **21222**, qty 1 18T/18MT shock tower, rear

21245, **21266**, qty 1 18B shock tower, rear

21286, qty 1 18R shock tower, rear

25180, qty 2 m3x8mm bhps (18R)

21287, qty 2 18R body mount

18T & 18MT



18B

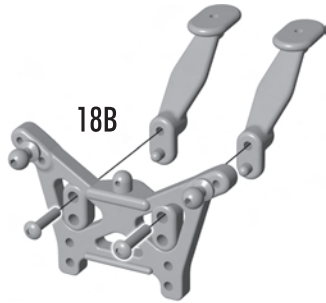
18R

x2

rear



▶ Step 3

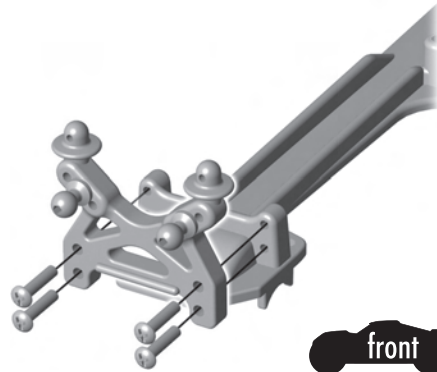
-  21134, qty 2
M2.5 x 9 bhps
-  21248, qty 2
18B wing mount



rear

▶ Step 4

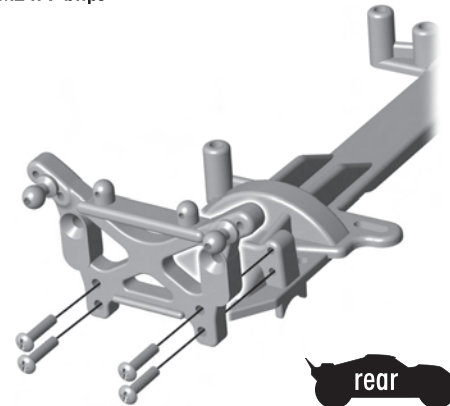
-  21259, qty 1
chassis top plate
-  21132, qty 4
M2 x 9 bhps



front



▶ Step 5

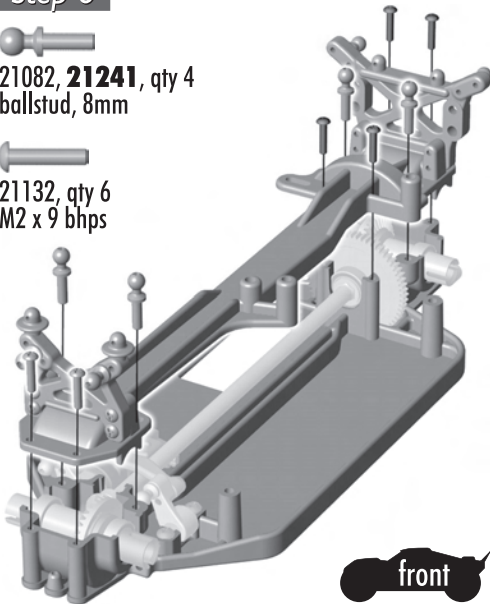
-  21132, qty 4
M2 x 9 bhps



rear




▶ Step 6

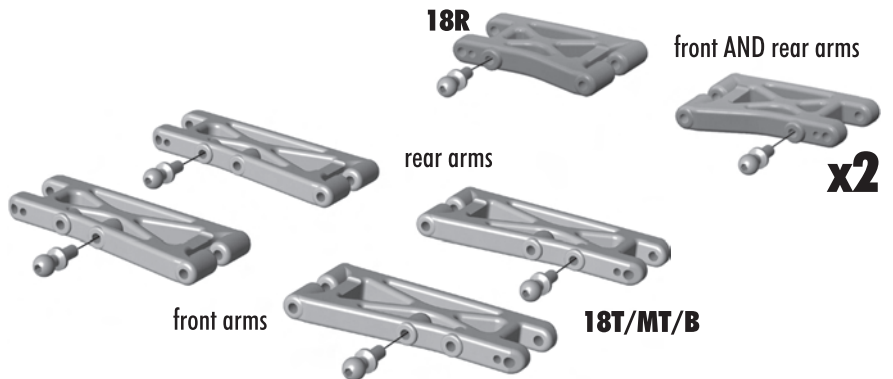
-  21082, **21241**, qty 4
ballstud, 8mm
-  21132, qty 6
M2 x 9 bhps



front

▶ Bag E - Step 1

-  21082, **21241**, qty 4
ballstud, 5mm
-  21008, **21220**, qty 4
suspension arm, 18T/MT/B
-  21282, qty 4
suspension arm, 18R



18R

front AND rear arms

rear arms

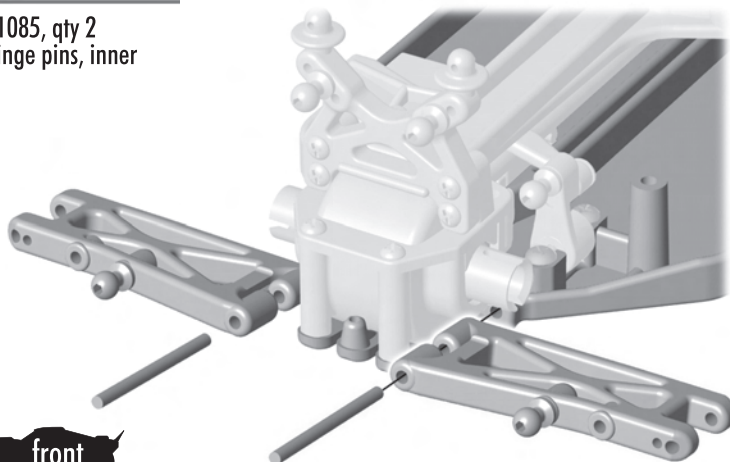
x2

front arms

18T/MT/B

▶ Step 2

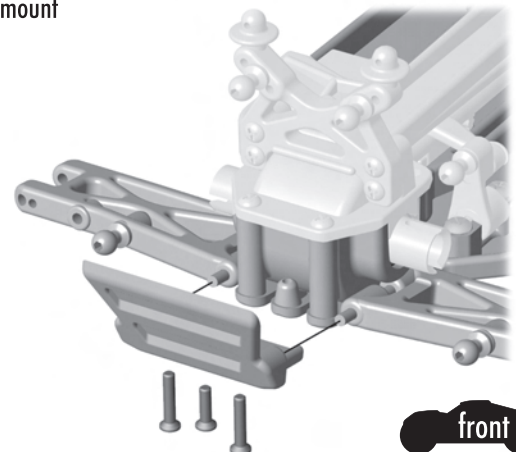
-  21085, qty 2
hinge pins, inner



front

▶ Step 3

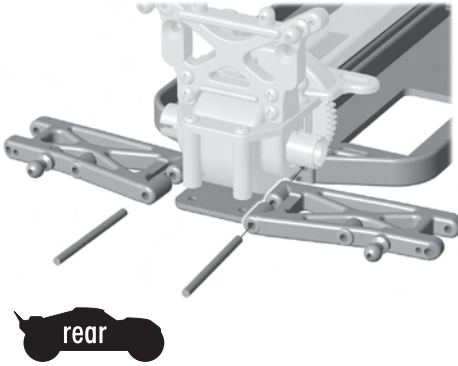
-  21005, qty 1
front bumper/arm mount
-  21135, qty 2
M2 x 12 fhps
-  25196, qty 1
M2 x 8 fhps



front

▶ Step 4

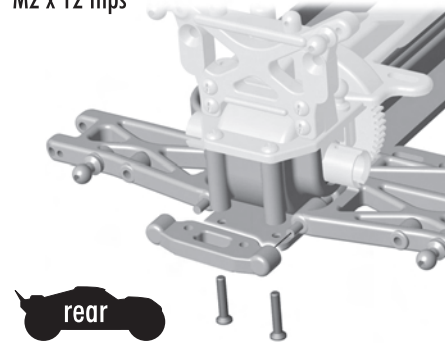
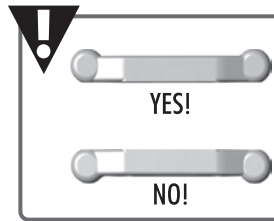
21085, qty 2
hinge pins, inner



▶ Step 5

21005, qty 1
rear arm mount

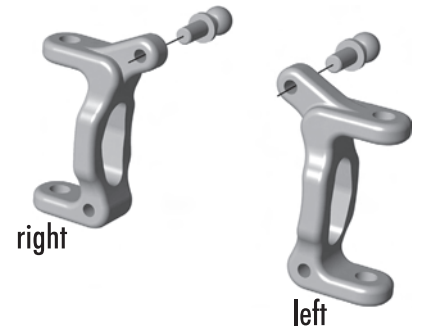
21135, qty 2
M2 x 12 fhps



▶ Bag F - Step 1

21015, **21225**, qty 2
caster block

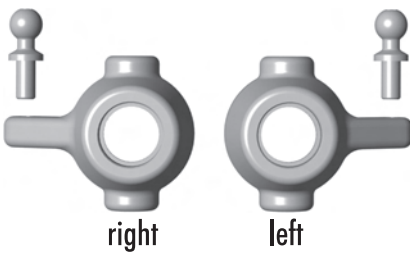
21082, **21241**, qty 2
ballstud, 5mm



▶ Step 2

21016, **21223**, qty 2
steering block

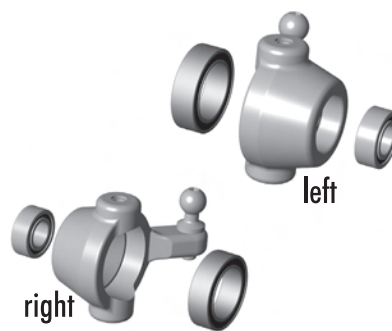
21082, **21241**, qty 2
ballstud, 5mm



▶ Step 3

21105, qty 2
4 x 8 x 3 bearing

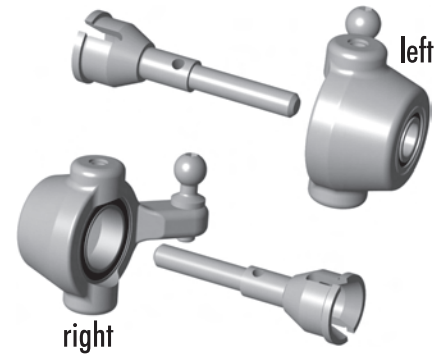
21106, qty 2
8 x 12 x 3.5 bearing



▶ Step 4

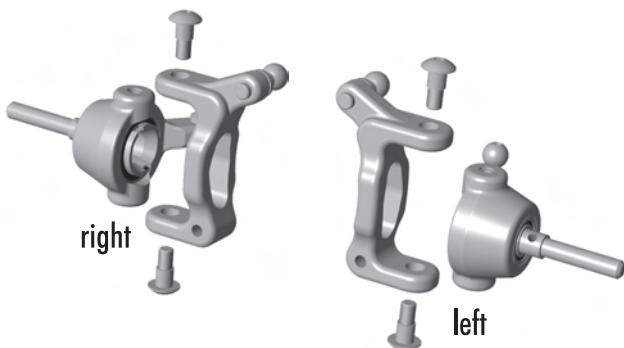
21095, **21230**, qty 2
stub axle, 18T/MT/B

21283, qty 4
stub axle, 18R



▶ Step 5

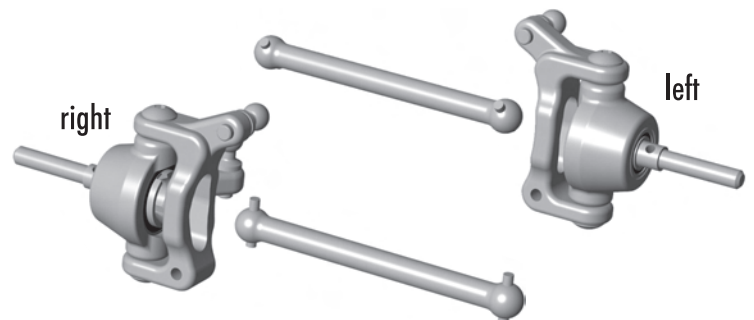
21131, qty 4
M2.5 x 3 bhps (kingpin screw)



▶ Step 6

21030, **21031**, qty 2
dogbone, 18T/MT/B

21284, qty 2
dogbone, 18R



▶ Step 7



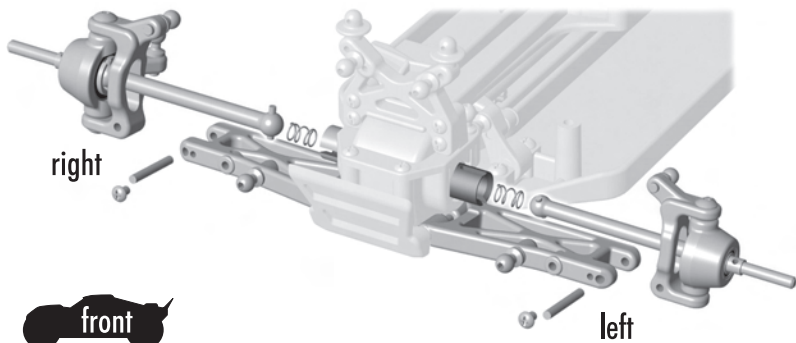
4118, 21030, qty 2
dogbone spring



21085, qty 2
hinge pins, outer



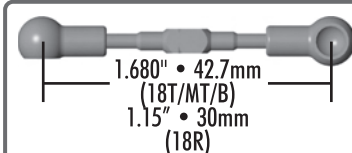
21130, qty 2
M2 x 3 bhps



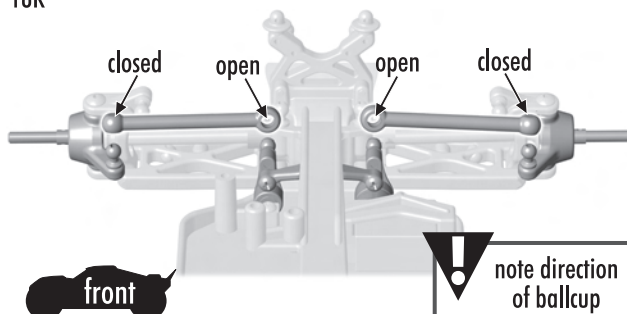
▶ Step 8

Factory Team Turnbuckle Length

21053, **21055**, qty 2
steering tierod (long)
18T/MT/B



21285, **21056**, qty 2
steering tierod (long)
18R

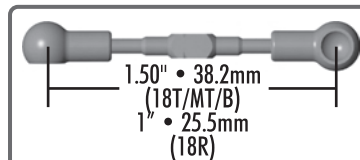


▶ Step 9

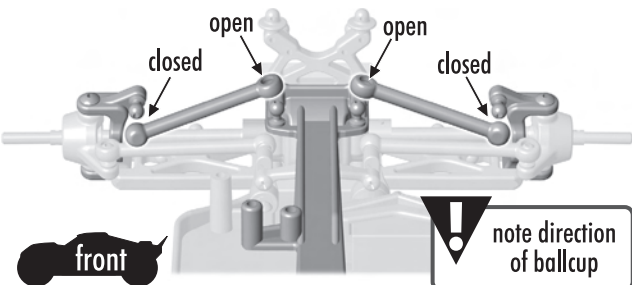
Factory Team Turnbuckle Length



21053, **21055**, qty 2
suspension upper tierod
(short) (18T/MT/B)



21285, **21056**, qty 2
suspension upper tierod
(short) (18R)



▶ Step 10



21010, **21224**, qty 2
rear hub carrier



left



21082, **21241**, qty 2
ballstud, 5mm



right

▶ Step 11



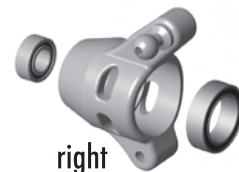
21105, qty 2
4 x 8 x 3 bearing



21106, qty 2
8 x 12 x 3.5 bearing



left



right

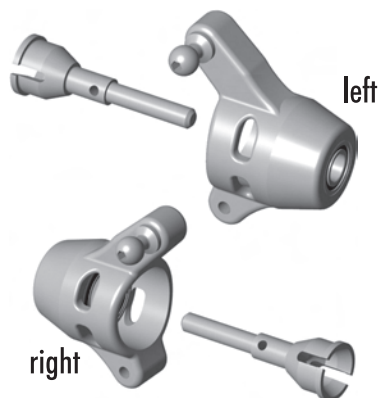
▶ Step 12



21095, **21230**, qty 2
stub axle



21283, qty 4
stub axle, 18R



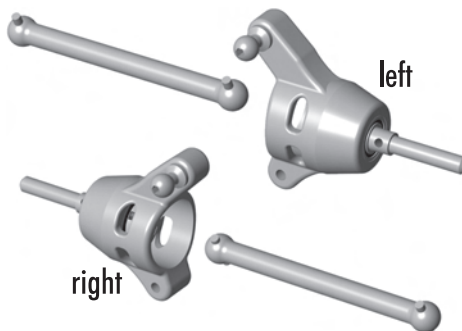
▶ Step 13



21030, **21031**, qty 2
dogbone



21284, qty 2
dogbone, 18R



Having Problems?

Associated Electrics, Inc.

26021 Commercentre Dr.
Lake Forest, CA 92630-8853 USA

Customer Support

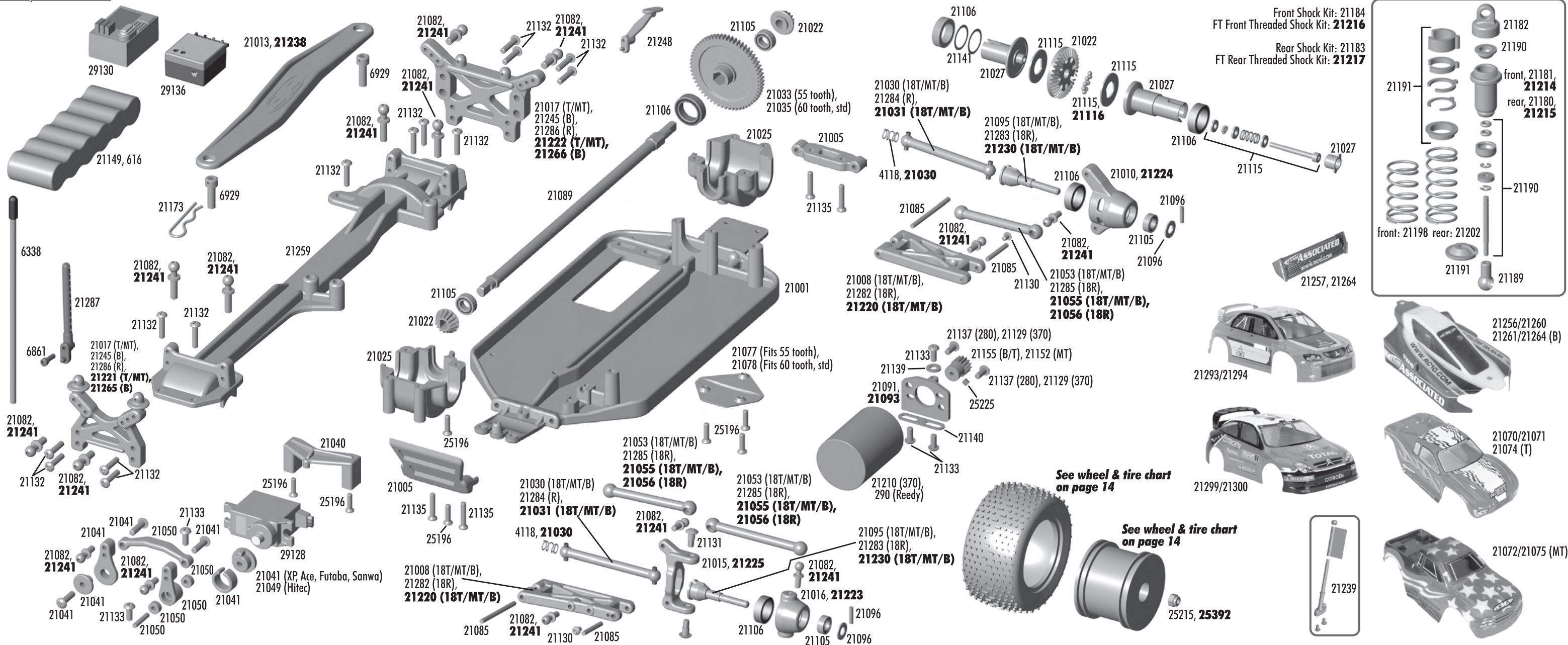
Tel: 949.544.7500
Fax: 949.544.7501

Hours: 8:00am - 4:00pm, pst

<http://www.rc10.com>
<http://www.TeamAssociated.com>



Exploded View



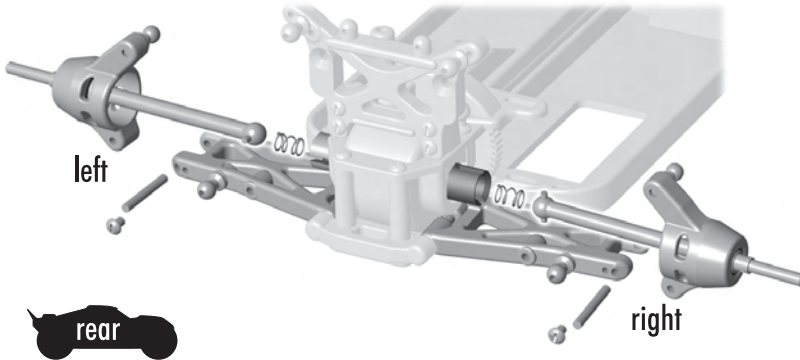
Parts List

4118	.014 Spring (Dogbone Spring)	Pr.	21053	Suspension Linkage (T/MT/B)	Set	21131	M2.5 x 3 BHPS	4	21182	Shock Caps	4	21282	Suspension Arms (R)	Set
6338	Antenna Tube & Cap	1	21069	Body Decal Sheet & Window Mask (T/MT)	Set	21132	M2 x 9 BHPS	20	21183	Shock Kit, rear	Pr.	21283	Stub Axles (R)	2
21001	Chassis	1	21070	Truck Painted Body, blue, with decals (T/MT)	1	21133	M2.5 x 6 BHPS	20	21184	Shock Kit, front	Pr.	21284	Dogbones & Springs (R)	Set
21005	Arm Mount, front & rear	Set	21071	Truck Painted Body, red, with decals (T/MT)	1	21134	M2.5 x 9 BHPS	20	21189	Ballcup, short, for shocks	12	21285	Suspension Linkage (R)	Set
21008	Suspension Arm (T/MT/B)	Pr.	21072	MT Flag Body, with decals (T/MT)	1	21135	M2 x 12 FHPS	20	21190	Shock Rebuild Kit, rebuilds 4 shocks	Set	21286	Shock Towers, front & rear (R)	Pr.
21010	Rear Hub Carrier	2	21074	Truck Clear Body, w/decals/window mask (T/MT)	1	21137	M2.5 x 4 BHPS	20	21191	Shock Accessories	Set	21287	Body Mounts (R)	4
21013	Battery Brace, 4 cell, 5/6 cell	Set	21075	MT Clear Body, w/decals/window mask (T/MT)	1	21139	M2.5 Washers	20	21197	Shock Spring, front, silver, 2.55 lb/in	Pr.	21293	Painted Mitsubishi Lancer Body	1
21015	Caster Block, left or right	2	21076	MT Decal Sheet & Window Masks	1	21140	Motor Mount Plate	2	21198	Shock Spring, front, blue, 3.0 lb/in	Pr.	21294	Clear Mitsubishi Lancer Body, decals/window masks	1
21016	Steering Block	2	21077	Chassis Gear Cover - 55t	1	21141	Diff Shims	4	21199	Shock Spring, front, gold, 3.45 lb/in	Pr.	21295	Painted Niteline Body	1
21017	Shock Towers, front & rear (T/MT)	Pr.	21078	Chassis Gear Cover - 60t, std	1	21146	Screw Set	Set	21201	Shock Spring, rear, silver, 1.64 lb/in	Pr.	21296	Clear Niteline Body	1
21022	Differential & Input Gear	Set	21082	Ballstud Set	Set	21152	Pinion Gear, 10t (MT kit)	1	21202	Shock Shaft, rear, blue, 1.90 lb/in	Pr.	21297	Painted Kamino Body	1
21024	Complete Differential Kit	1	21085	Hingepin Set	Set	21153	Pinion Gear, 12t	1	21203	Shock Spring, rear, gold, 2.35 lb/in	Pr.	21298	Clear Kamino Body, decals/window masks	1
21025	Gearbox Cases	2	21089	Main Driveshaft	1	21154	Pinion Gear, 13t	1	21239	Flag Kit	1	21299	Painted Citroen Xsara Body	1
21027	Differential Outdrives, long & short	Set	21091	Motor Mount	1	21155	Pinion Gear, 14t (B/T Kit)	1	21245	Shock Tower, front & rear (B)	1	21300	Clear Citroen Xsara Body, decals/window masks	1
21030	Dogbones & Springs (T/MT/B)	Set	21095	Stub Axles (T/MT/B)	2	21156	Pinion Gear, 15t	1	21248	Wing Mount (B)	2	21301	Carbon Design Niteline Wing	1
21033	Spur Gear/Drive Cup, 55t	1	21096	Stub Axle Pins & Spacers	Set	21158	Pinion Gear, 16t	1	21256	Buggy Clear Body, Wing & Dirt Deflectors (B)	Set	25180	M3 x 8 BHPS	20
21035	Spur Gear/Drive Cup, 60t, std	1	21105	Bearing, 4 x 8 x 3	2	21159	Pinion Gear, 17t	1	21257	Buggy Clear Wing & Dirt Deflectors (B)	Set	25196	M2 x 8 FHPS	20
21040	Servo Mount	1	21106	Bearing, 8 x 12 x 3.5, rubber sealed	2	21160	Pinion Gear, 18t	1	21258	Buggy Decal Sheet & Window Mask (B)	1	25215	M3 Locknuts	20
21041	Servo Saver, XP, Ace, Futaba, Sanwa	Set	21107	Bearing Set	Set	21167	Pinion Gear, 11t	1	21259	Top Plate	1	25225	M3 x 3 Setscrews	20
21049	Servo Saver, Hitec HS-56	Set	21115	Differential Rebuild Kit	1	21173	Body Clips	12	21260	Buggy Painted Body, Red, with decals (B)	1			
21050	Steering Bellcrank Parts	Set	21129	M3 x 5 BHPS	20	21180	Shock Body, rear	Pr.	21261	Buggy Painted Body, Orange, with decals (B)	1			
21052	Turnbuckle Set, steel, with ballcups	Set	21130	M2 x 3 BHPS	20	21181	Shock Body, front	Pr.	21264	Buggy Graphite-Pattern Wing/Dirt Deflectors (B)	Set			

(B)=Buggy (T)=Truck (MT)=Monster Truck (R)=Road/Rally


▶ Step 14

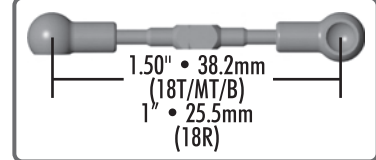
-  4118, 21030, qty 2 dogbone spring
-  21085, qty 2 hinge pins, outer
-  21130, qty 2 M2 x 3 bhps




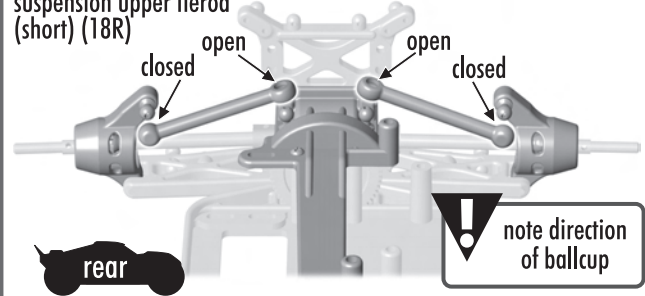
▶ Step 15

Factory Team Turnbuckle Length

-  21053, **21055**, qty 2 suspension upper tierod (short)






-  21285, **21056**, qty 2 suspension upper tierod (short) (18R)






RC18R uses #21181 (#21214) front shocks (short shocks) on the front AND the back.

▶ Bag G - Step 1 Front Shocks

-  21190, qty 2 e-dip
 -  21190, qty 1 piston
 -  21190, qty 1 front shock shaft (short)
- ! 18T/MT/B:**
build 2 short shocks
18R:
build 4 short shocks




▶ Step 2

-  21181, **21214**, qty 1 front shock body (short)
 -  21190, qty 2 o-ring
 -  21190, qty 1 shock body seal cap
- ! cap should 'snap' in place**




▶ Step 3

-  21189, qty 1 ball cup, short
-  OIL #5422
- ! grip shaft (where shown) with needlenose pliers**

▶ Step 4 Rear Shocks

-  21190, qty 2 e-dip
 -  21190, qty 1 piston
 -  21190, qty 1 rear shock shaft (long)
- ! 18T/MT/B:**
build 2 short shocks

▶ Step 5

-  21180, **21215**, qty 1 rear shock body (long)
 -  21190, qty 2 o-ring
 -  21190, qty 1 shock body seal cap
- ! cap should 'snap' in place**

▶ Step 6

-  21189, qty 1 ball cup, short
-  OIL #5422
- ! grip shaft (where shown) with needlenose pliers**

▶ Step 7

fill to top with oil
#5422

move shaft up & down to remove air bubbles

fill to top with oil
#5422

install bladder

21190, qty 1 shock bladder

retain oil as you screw the cap on

21182, qty 1 shock cap

▶ Step 8 Front Shocks

21198, qty 1 front spring, blue, 3.0

21191, qty 1 upper spring perch

21191, qty 1 lower spring retainer

21191 - B, T & MT, qty 1 each ride height clip, 5mm, 2mm

21191 - R, qty 1 ride height clip, 5mm

Factory Team Only

21214, qty 1 threaded shock collar

adjust ride height:
T/B: 15mm
MT: 19mm
R: 10mm

front

▶ Step 9 Rear Shocks

21202, qty 1 rear spring, blue, 1.9lb

21191, qty 1 upper spring perch

21191, qty 1 lower spring retainer

21191 - B/T, qty 1 ride height clip, 5mm

21191 - R, qty 1 ride height clip, 5mm

21191 - MT, qty 1 each ride height clip, 5mm, 2mm, 1 mm

Factory Team Only

21215, qty 1 threaded shock collar

adjust ride height:
T/B: 14mm,
MT: 17mm,
R: 10mm

rear

▶ Step 10

front

rear

▶ Bag H - Step 1

21210, qty 1 super 370 motor

25225, qty 1 M3 x 3 setscrew

21155 (B/T), qty 1 14t motor pinion

21152 (MT), qty 1 10t motor pinion

21159 (R), qty 1 17t motor pinion

refer to the gearing chart for the proper gear ratio

▶ Step 2

21091, 21093, qty 1 motor mount

21129, qty 2 M3 x 5 bhps

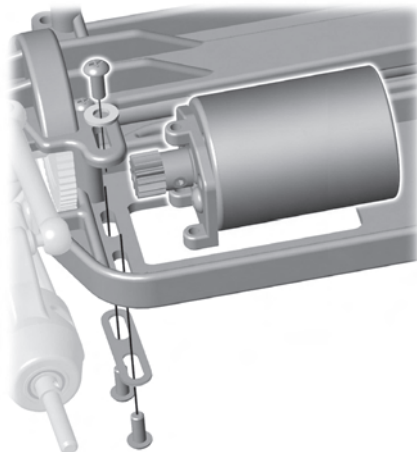
assemble using holes that best fit your motor

► 18B/T/MT Gear Chart

See gear chart located at the back of this manual for additional gearing recommendations for alternate motors.

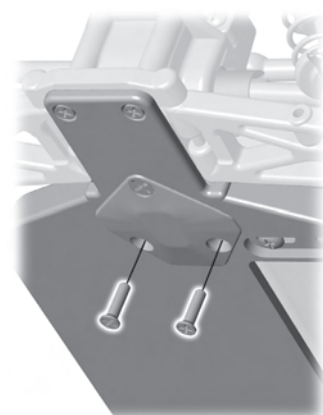
► Step 3

- 
 21133, qty 3
 M2.5 x 6 bhps
- 
 21139, qty 1
 M2.6 x 6 washer
- 
 21140, qty 1
 motor mount plate



► Step 4

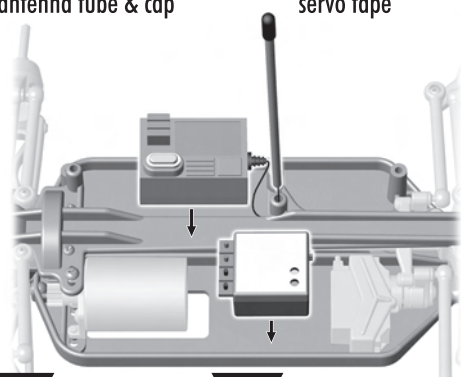
- 
 25196, qty 2
 M2 x 8 fhps



► Step 5

- 
 6338, qty 1
 antenna tube & cap


- 
 6727, qty 1
 servo tape

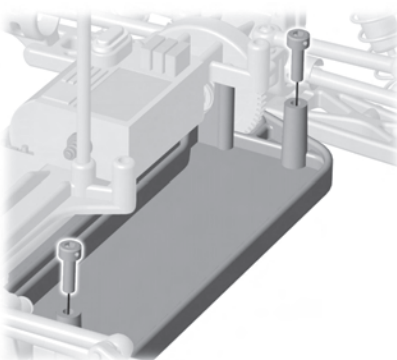


! feed antenna wire as shown

! attach receiver & esc to chassis with servo tape

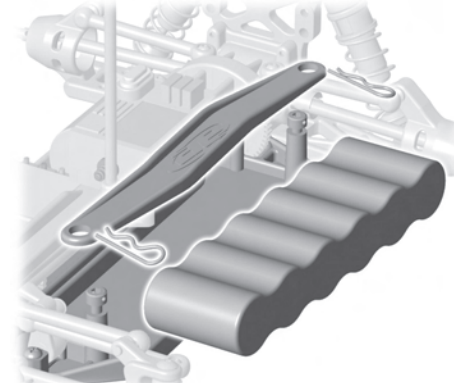
► Step 6

- 
 6929, qty 2
 4-40 x 3/8" shcs w/hole









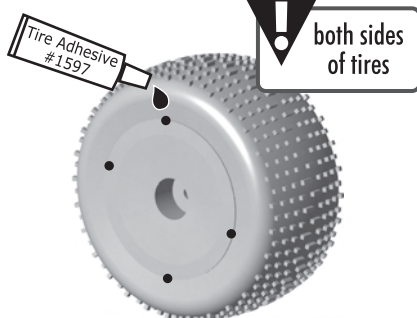
► Step 7

- 
 21013, **21238**, qty 1
 6 cell battery brace
- 
 21173, qty 2
 body clips



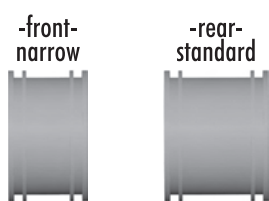
► Step 8

- 
 21058, qty 1
 18T white wheel
- 
 21059, qty 1
 18T mini pin tire/insert
- 
 21250 - front, qty 1
 21252 - rear, qty 1
 18B spoked wheel
- 
 21254, qty 1
 18B narrow mini pin tire/insert
- 
 21288, qty 1
 18R spoked wheel
- 
 21290, qty 1
 18B narrow road tire

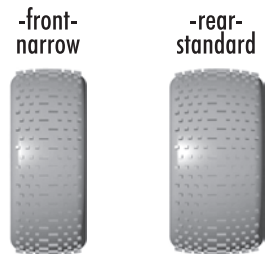


! WARNING!
 Follow the adhesive manufacturer's instructions for proper use and safety. Wear eye and hand protection.

► Wheels



► Tires



▶ Step 9



21060, qty 1
18T wheel/tire/insert, mounted
21065, qty 1
18MT wheel/tire/insert, mounted

21096, qty 1
stub axle pin

21096, qty 1
stub axle spacer

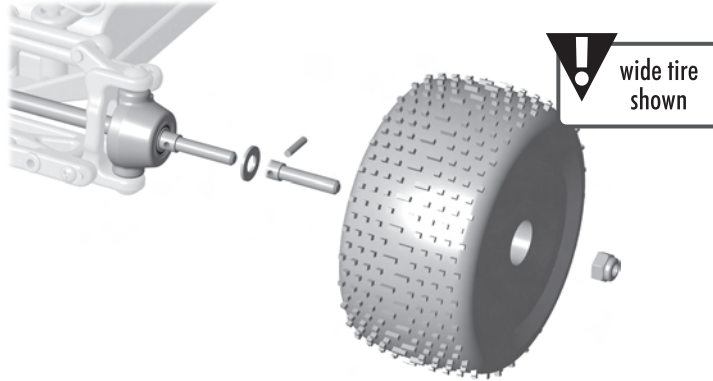


21253, qty 1
18B narrow wheel/tire/insert, mounted
21255, qty 1
18B standard wheel/tire/insert, mounted

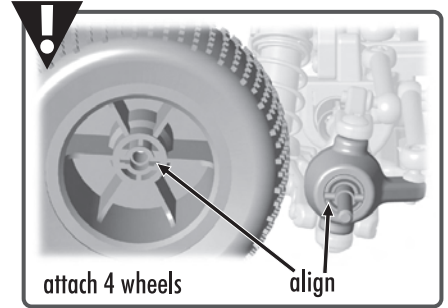
25215, **25392**, qty 1
M3 locknuts



21291, qty 1
18R white wheel/tire/insert, mounted
21292, qty 1
18R black wheel/tire/insert, mounted



! wide tire shown



attach 4 wheels

align

▶ Step 10



21070/21071/21074, qty 1
18T body, blue/red/clear
21072/21075, qty 1
18MT body, flag design/clear

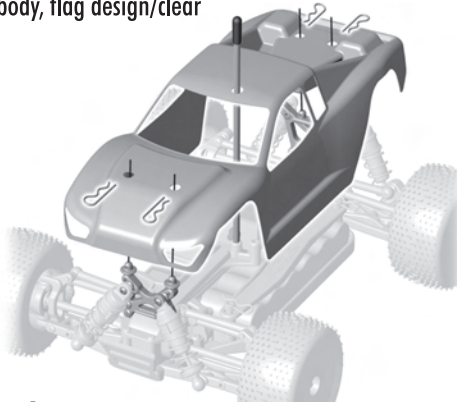
21173, qty 4
body clips

21239, qty 1
18MT flag kit

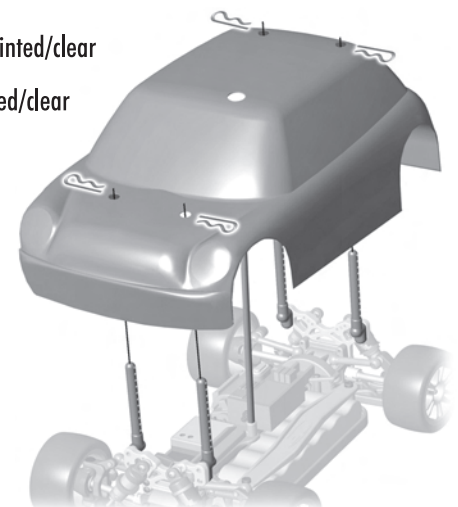


21293/21294, qty 1
Mitsubishi body, painted/clear
21299/21300, qty 1
Citroen body, painted/clear

21173, qty 4
body clips



! locate into holes in bed of MT body



18T/MT

18R

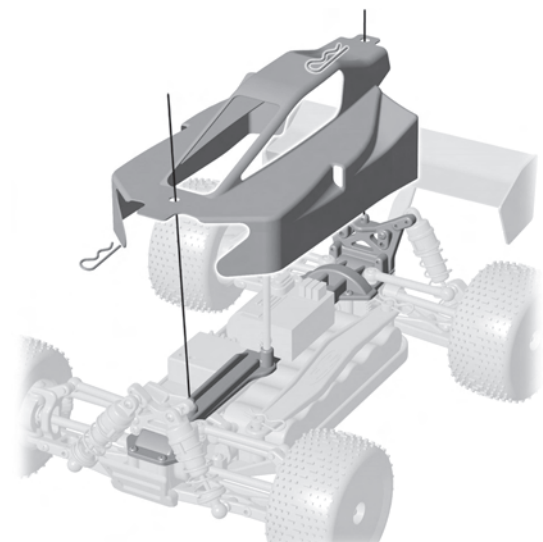
21133, qty 2
M2.5 x 6 bhps
(for wing)

21139, qty 2
M2.6 x 6 steel washer
(for wing)

21264/21257, qty 1
18B wing, carbon, clear

21173, qty 4
body clips

21260/21261/21256, qty 1
18B body, red, orange, clear



18B

► 1:18 AE Wheel/Tire Guide

Mounted Wheel & Tire Sets

All sets are mounted, glued and are sold in pairs.



21060



21065



21068



21253



21062



21291

	Gold	Black	White	Chrome	Dish	Spoked	Beadlock	Mini-Pin	Foam	Monster Truck	On-Road	Narrow	Standard
21060			X		X			X					X
21062				X	X			X					X
21065			X			X			X				X
21068		X			X			X					X
21253		X				X		X			X		
21255		X				X		X					X
21271		X			X			X				X	
21273			X		X			X				X	
21276			X			X		X				X	
21277		X				X		X				X	
21280			X			X		X					X
21281		X				X		X					X
21291			X			X				X	X		
21292		X				X				X	X		
21303	X					X				X	X		

Wheels

All wheels and are sold in pairs.



21063



21288



21058



21250

	Gold	Black	White	Chrome	Dish	Spoked	Beadlock	Narrow	Standard
21058		X		X					X
21061			X	X					X
21063			X			X			X
21250		X				X		X	
21251		X		X				X	
21252		X				X			X
21272			X	X				X	
21274			X			X		X	
21275		X				X		X	
21278			X			X			X
21279		X				X			X
21288			X			X		X	
21289		X				X		X	
21302	X					X			X

Tires

All tires and are sold in pairs (includes inserts).



21064



21059



21290

	Mini-Pin	Monster Truck	On-Road	Narrow	Standard
21059	X				X
21064		X			X
21254	X			X	
21290			X	X	

For additional information and pictures of all Team Associated 1:18 scale wheels and tires, go to:
www.RC10.com -or- www.TeamAssociated.com

► 1:18 Series Body Guide



RC18T

- 21070 Painted Truck Body, blue, with decals
- 21071 Painted Truck Body, red, with decals
- 21074 Clear Truck Body, with decals & window mask



RC18MT

- 21072 Painted Monster Truck Flag Body, with decals
- 21075 Clear Monster Truck Body, with decals/window mask
- 21239 Monster Truck Flag Kit



RC18B

- 21256 Clear Buggy Body/Wing/Dirt Deflectors, with window mask
- 21260 Painted Buggy Body, red, with decals
- 21261 Painted Buggy Body, orange, with decals



RC18R

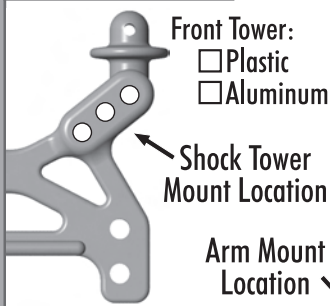
- 21293 Painted Mitsu. Lancer Body
- 21294 Clear Mitsubishi Lancer, with decals/window masks
- 21295 Painted Niteline Body
- 21296 Clear Niteline Body, with decals/window masks
- 21297 Painted Kamino Body
- 21298 Clear Kamino Body, with decals/window masks
- 21299 Painted Citroen Xsara Body
- 21300 Clear Citroen Xsara Body, with decals/window masks

RC 18

For more setups and setup sheets, click here:
www.RC10.com • www.TeamAssociated.com
www.CompetitionX.com

Driver: _____ Date: _____
Track: _____ Indoor Outdoor
Event: _____
Conditions: _____
Additional Comments: _____

Front Suspension



Front Tower:
 Plastic
 Aluminum

Shock Tower Mount Location

Arm Mount Location

Front Arm:
 Plastic Aluminum



Notes: _____

Upright

Ballstud: Short Long

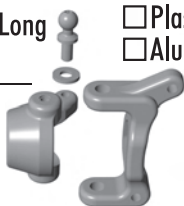
Ballstud Washers: _____

Steering Block:

Plastic
 Aluminum

Caster Block:

Plastic
 Aluminum



Shocks



Piston: _____ Oil: _____ wt

Spring: _____ Limiters: _____

Ride Height: _____ mm

Shock Body: Plastic Threaded Aluminum

Alignment

Camber: _____°

Inner Camber Shims: _____

Toe: _____°

Differential

Diff Setting: _____

Solid Axle

Oneway

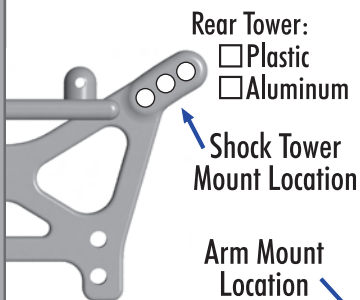
Drivebones

Plastic Dogbones

Aluminum Dogbones

MIP CVD's

Rear Suspension



Rear Tower:
 Plastic
 Aluminum

Shock Tower Mount Location

Arm Mount Location

Rear Arm:
 Plastic Aluminum



Notes: _____

Upright

Hub Carrier:

Plastic
 Aluminum



Anti-Squat

Standard - 0°

Optional - 3.5°



Shocks



Piston: _____ Oil: _____ wt

Spring: _____ Limiters: _____

Ride Height: _____ mm

Shock Body: Plastic Threaded Aluminum

Alignment

Camber: _____°

Inner Camber Shims: _____

Differential

Diff Setting: _____

Solid Axle

Drivebones

Plastic Dogbones

Aluminum Dogbones

MIP CVD's

Body & Wing

Body: _____ Wing: _____

Notes: _____

Tires

Front

Type: _____

Insert: _____

Wheel: _____

Traction Compound: _____

Notes: _____

Rear

Type: _____

Insert: _____

Wheel: _____

Electronics

Motor: _____ Gear: _____ t/ _____ t

Motor Brush: _____ Motor Spring: _____

Motor Timing: _____

Battery: _____ Position: Fwd Back

ESC: _____ Mode: _____

Drag Brake: _____ Initial Brake: _____

Race Comments

Main: _____ Qualifying Position: _____ Finish: _____

Notes: _____

Car Comments

Notes: _____

1:18 Gear Chart

Motor	T/B 55t Spur	T/B 60t Spur	MT 60t Spur	R 55t Spur	R 60t Spur
Reedy Mini Mod 17T Motor - Large Track	11	12	NR	13	15
Reedy Mini Mod 17T Motor - Short Track	10	11	NR	12	14
Reedy Mini Mod 19T Motor - Large Track	12	13	11	15	16
Reedy Mini Mod 19T Motor - Short Track	-	12	10	-	15
Other Modified 280 Motor - Large Track	13	14	11	16	17
Other Modified 280 Motor - Short Track	12	13	10	15	16
Super 370 Size Motor - Large Track	13	14	11	16	17
Super 370 Size Motor - Short Track	12	13	10	15	16
Super 280 Motor - Large Track	14	15	-	17	18
Super 280 Motor - Short Track	13	14	-	16	17

NR = Not Recommended for this vehicle.

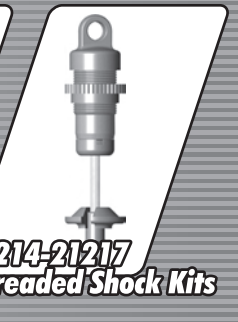
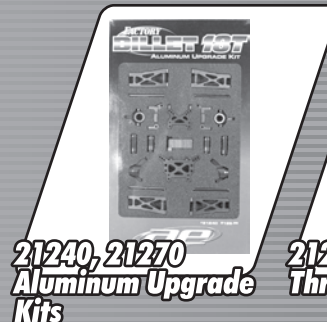
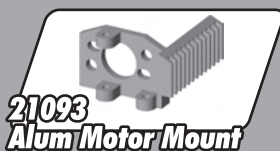
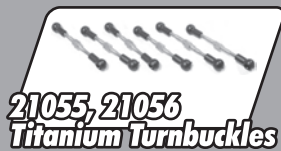
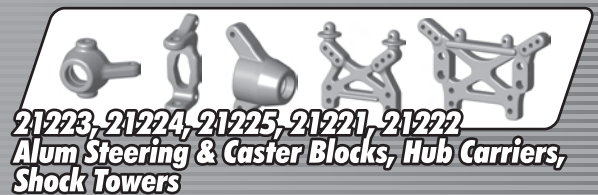
Motor gearing is a starting recommendation only. You may need to adjust your gearing according to your track size.

1:18 Factory Team Parts

21031 FT Aluminum Dogbones, blue	Pr.	21225 Factory Blue Aluminum Caster Blocks, 0 deg, blue	Pr.
21055 FT Titanium Turnbuckle Set (B/T/MT)	Set	21227 Body Mount Supports, for front aluminum tower	2
21056 FT Titanium Turnbuckle Set (R)	Set	21230 MIP CVD Assemblies (B/T/MT)	Pr.
21093 FT Aluminum Finned Motor Mount, blue	1	21231 MIP Rebuild Kit	Set
21116 FT Carbide Diff Balls	8	21238 FT Woven Graphite Battery Strap	1
21214 FT Alum. Threaded Shock Body, front, blue, w/collar	Pr.	21240 Factory Billet Aluminum Upgrade Kit (T/MT)	Set
21215 FT Alum. Threaded Shock Body, rear, blue, w/collar	Pr.	21241 FT Blue Aluminum Ballstuds	10
21216 FT Alum. Threaded Shock Kit, front, blue	Pr.	21243 FT Blue Outdrive Sleeves	4
21217 FT Alum. Threaded Shock Kit, rear, blue	Pr.	21265 Factory Blue Aluminum Shock Tower, front (B)	1
21220 Factory Blue Aluminum Suspension Arms, blue (B/T/MT)	Pr.	21266 Factory Blue Aluminum Shock Tower, rear (B)	1
21221 Factory Blue Aluminum Shock Tower, front (T/MT)	1	21270 Factory Billet Aluminum Upgrade Kit (B)	Set
21222 Factory Blue Aluminum Shock Tower, rear (T/MT)	1	25392 FT Aluminum M3 Locknuts, blue	10
21223 Factory Blue Aluminum Steering Blocks, blue	Pr.	29137 FT Aluminum XPS ESC Heatsink, blue	1
21224 Factory Blue Aluminum Hub Carriers, blue	Pr.		

RC18R uses #21181 (#21214) front shocks (short shocks) on the front AND the back.

FACTORY Team



Check our web site at www.TeamAssociated.com or www.RC10.com for the latest updates to our 18T line!!!