

Front Suspension
Anti Roll Bar:

- 2.2mm Green
 2.3mm White
 2.4mm Blue
 2.5mm Yellow

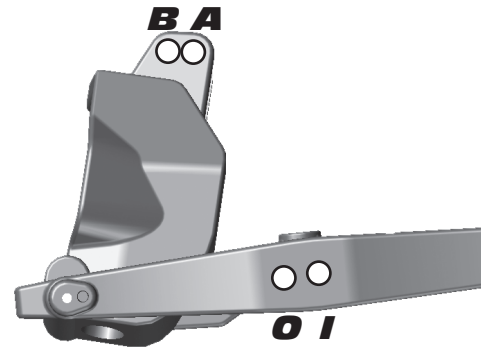
Steering System:

- Swing Rack
 Bellcrank Rack


Bumpsteer Washers: _____

Camber: _____

Caster: _____

Toe: _____

Upper Hinge Pin Bushing
Front # _____
 Up Down
Rear # _____
 Up Down
B-Plate Type

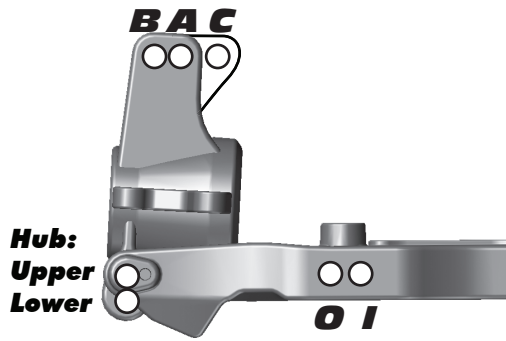
 Low Original
Kickup Bushing A-Plate
_____
 Up Down
Ride Height: _____

Rear Suspension
Anti Roll Bar:

- 2.5mm Green
 2.6mm White
 2.7mm Blue
 2.8mm Yellow

Wheelbase:

- Long
 Medium
 Short

Camber: _____

Toe Bushing D-Plate
_____
 In Out
Squat Bushing C-Plate
_____
 Up Down
Ride Height: _____

Front Shocks

Spring: _____ **Shock Cap:** _____
Shock Fluid: _____ **Length:** _____
Piston: _____ **Rebound:** _____

Rear Shocks

Spring: _____ **Shock Cap:** _____
Shock Fluid: _____ **Length:** _____
Piston: _____ **Rebound:** _____

Chassis Braces

Chassis Braces:
Pivot
Molded
Aluminum

Wheel Hex

Wheel Hex:
Narrow
Wide

Caster Blocks

Caster Blocks:
Vertical
Inclined

Chassis Weight

Weight: _____

Rear Hubs

Rear Hubs:
Standard
CNC FT Alum.

Differentials

Front Diff: _____
Center Diff: _____
Rear Diff: _____
Notes: _____

Body / Wing

Body Type: _____
Wing Type: _____
Gap to Tower (MM): _____

Gearing / Clutch

Spur Gear: _____
Clutch Bell: _____
Clutch Shoes: _____
Clutch Spring: _____

Engine

Engine: _____
Restrictor: _____ **Temp:** _____
Muffler: _____
Glow Plug: _____ **Fuel:** _____

Tires

Tire (F/R): _____ / _____
Compound (F/R): _____ / _____
Inserts (F/R): _____ / _____
Wheel (F/R): _____ / _____
Notes: _____

Radio / Servos

Radio: _____ **Brake Bias:** _____
Throttle / Steering Servo: _____ / _____
Throttle / Brake expo: _____ / _____
Steering expo: _____
Dual Rate: _____

Race and Vehicle Comments

Qualify: _____ **Main:** _____ **Finish:** _____ **TQ:** _____
Comments: _____

Track Info

Traction: High Medium Low
Surface: Smooth Bumpy Blue Groove
 Soft Dirt Grass Clay Wet
 Astroturf Dusty Other: _____