

Front Suspension

Anti Roll Bar:
Steering System:

2.2mm Green
 2.3mm White
 2.4mm Blue
 2.5mm Yellow

Bellcrank
 Steering Rack:

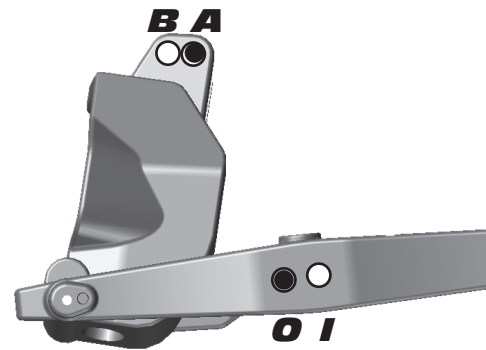


Bumpsteer Washers: _____ 0

Camber: _____ -2

Caster: _____ 16°

Toe: _____ 0



Ride Height: _____ 30 mm

Upper Hinge Pin Bushing

Front # _____ 1
 Up Down

Rear # _____ 1
 Up Down

B-Plate Type

Low Original

Kickup Bushing A-Plate

_____ 2
 Up Down

Rear Suspension

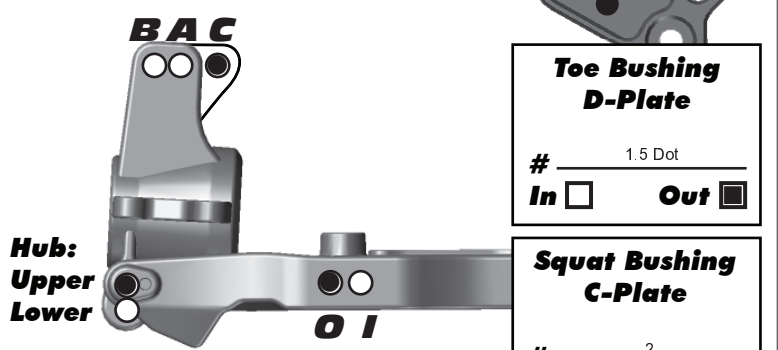
RESET
Anti Roll Bar:

2.5mm Green
 2.6mm White
 2.7mm Blue
 2.8mm Yellow

Wheelbase:

Long
 Medium
 Short

Camber: _____ -2



Hub: Upper Lower

Ride Height: _____ 30 mm

Toe Bushing D-Plate

_____ 1.5 Dot
 In Out

Squat Bushing C-Plate

_____ 2
 Up Down

Front Shocks

Spring: _____ Kyo Lt Blue Shock Cap: _____ Bladder
 Shock Fluid: _____ Associated 42 wt Length: _____ Full
 Piston: _____ 8 x 1.3 Tapered Rebound: _____ None

Rear Shocks

Spring: _____ Kyo Lt Blue Shock Cap: _____ Bladder
 Shock Fluid: _____ Associated 32 wt Length: _____ Full
 Piston: _____ 8 x 1.3 Tapered Rebound: _____ None

Chassis Braces / Wheel Hex

Chassis Braces: Wheel Hex:
 Pivot Standard
 Molded Narrow
 Aluminum

Chassis Weight

Weight: _____

Rear Hubs

Rear Hubs:
 Standard
 CNC FT Alum.

Differentials

Front Diff Fluid: _____ 5000
 Center Diff Fluid: _____ 5000
 Rear Diff Fluid: _____ 5000
 Notes: _____

Body / Wing

Body Type: _____ JConcepts Silencer
 Wing Type: _____ JConcepts Finisher
 _____ Low Wing Mount
 Gap to Tower (MM): _____ Stock holes

Gearing / Clutch

Spur Gear: _____ 44
 Clutch Bell: _____ 17
 Clutch Shoes: _____ 3 x Hard Aluminum
 Clutch Spring: _____ 2 x 1.0 + 1 x 1.1

Engine

Engine: _____ LRP ZZ.21c
 Restrictor: _____ 5.3 mm Temp: _____ 250
 Muffler: _____ Novarossi 9901
 Glow Plug: _____ WT4 Fuel: _____ Sidewinder 20%

Tires

Tire (F/R): _____ JConcepts Metrix / _____ JConcepts Metrix
 Compound (F/R): _____ Blue / _____ Blue
 Inserts (F/R): _____ Closed Cell / _____ Closed Cell
 Wheel (F/R): _____ Associated 83mm / _____ Associated 83mm
 Notes: _____

Radio / Servos

Radio: _____ Futaba 4PK Brake Bias: _____ 50/50
 Throttle / Steering Servo: _____ Futaba Aluminum Case / _____ Futaba Aluminum Case
 Throttle / Brake expo: _____ -10% / _____ -10%
 Steering expo: _____ -15%
 Dual Rate: _____ 100%

Race and Vehicle Comments

Qualify: _____ 2 Main: _____ A Finish: _____ 1 TQ: _____
 Comments: Vertical caster blocks and spindles

Track Info

Traction: High Medium Low
 Surface: Smooth Bumpy Blue Groove
 Soft Dirt Grass Clay Wet
 Astroturf Dusty Other: _____