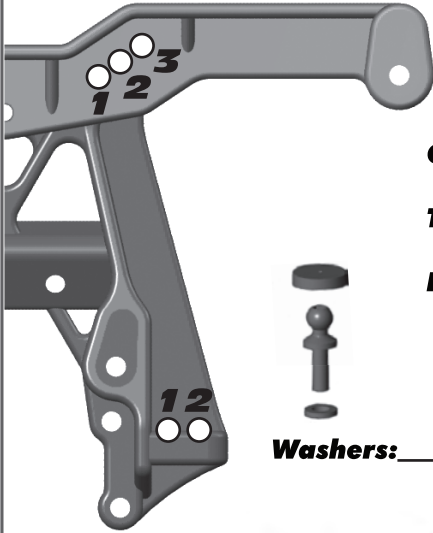


Front Suspension



Camber: _____

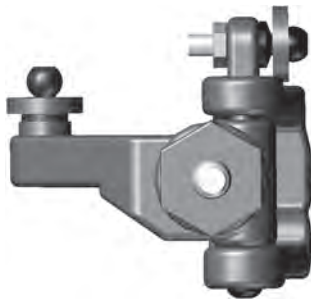
Toe: _____

Ride Height: _____



Washers: _____

Bump Steer Spacers: _____



Caster:

- 20°
- 25°
- 30°

ABC



Rear Suspension



Camber: _____

Ride Height: _____

Anti-Squat: _____

Toe: _____

Washers: _____

Anti Roll Bar:

- None
- Black (soft)
- Silver (med)
- Gold (hard)

Rear Hub Carriers:

- Std 0°
- 0.5°
- 1°
- 1.5°

Drivetrain:

- Dog Bones
- CVD
- CVA

Wheelbase:

- Long
- Medium
- Short

Rear Hub Tower: _____

ABC



Front Shocks

Spring: _____ Piston: _____
 Shock Fluid: _____ Limiter: _____
 Rebound: _____ Bladder Emulsion

Rear Shocks

Spring: _____ Piston: _____
 Shock Fluid: _____ Limiter: _____
 Rebound: _____ Bladder Emulsion

Electronics

Motor & Wind: _____
 Pinion: _____
 Spur Gear: _____
 Batteries: _____
 Battery Placement: Front Middle Back
 Other

Radio: _____
 Throttle / Brake e.p.a: _____
 Throttle / Brake expo: _____
 Servo: _____ Steering Expo: _____
 ESC: _____
 ESC Profile: _____ --- --- ---

Differentials

Gear Diff:
 Ball Diff:

Other

Body Type: _____
 Body Notes: _____

Front Tires

Tire: _____ Compound: _____
 Insert: _____ Wheel: _____
 Notes: _____

Rear Tires

Tire: _____ Compound: _____
 Insert: _____ Wheel: _____
 Notes: _____

Race and Vehicle Comments

Qualify: _____ Main: _____ Finish: _____ TQ: _____
 Comments: _____

Track Info

- Smooth: Bumpy: Blue Groove:
- Traction: High: Medium: Low:
- Soft Dirt: Grass: Clay: Wet:
- Dusty: Other: _____