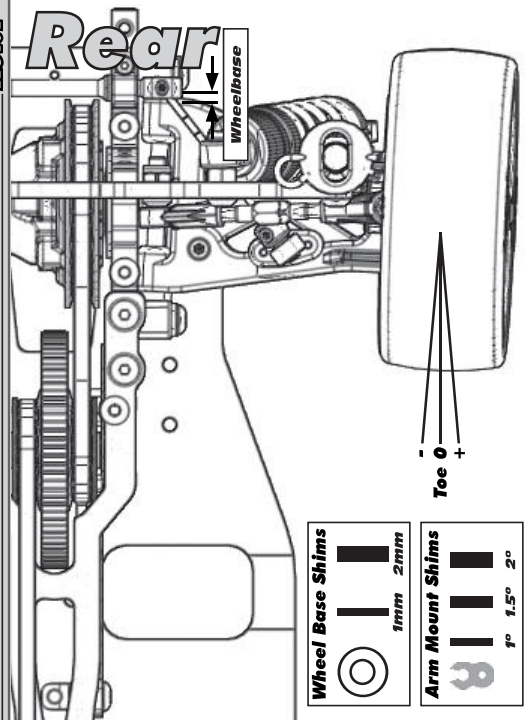
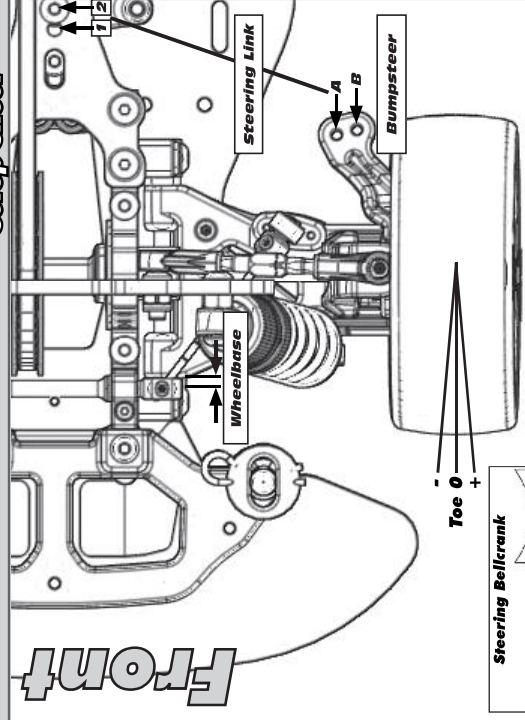


Setup Sheet

Conditions: Dry, air temp 15c, track temp 23c

Rev81



Front	Alignment	Rear
4.5mm	Ride Height	5.5mm
1.5	Camber	1.5
4	Caster	N/A
N/A	Rear Hub Toe	0
0	Toe (Total)	3.2
0	Hex Spacing	0
1mm	Wheelbase	1mm
7b	Steering Bellcrank	N/A
2b	Steering Link	N/A
black ball stud	Bumpsteer	N/A

Suspension Geometry

Shock Position	2b
3c	2b
1	3b
silver+1mm	black+2mm
3a	3a
1.5mm	0
3a	3a
1.5mm	2.5mm
5	5
yellow	blue

Shocks

30	Oil	30
2	Piston	2
0 drilled tops	Rebound	0 drilled tops
ae green	Spring	ae green

Differentials

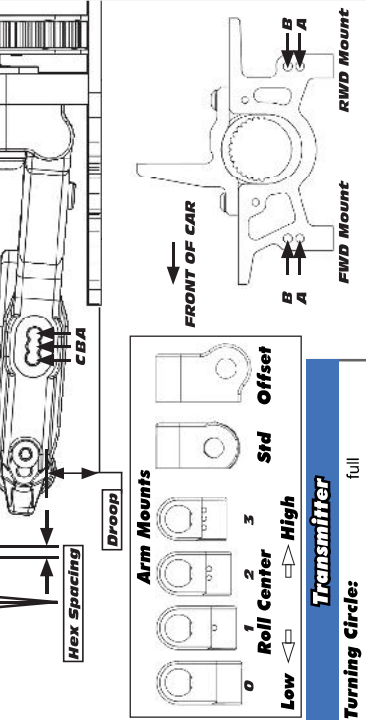
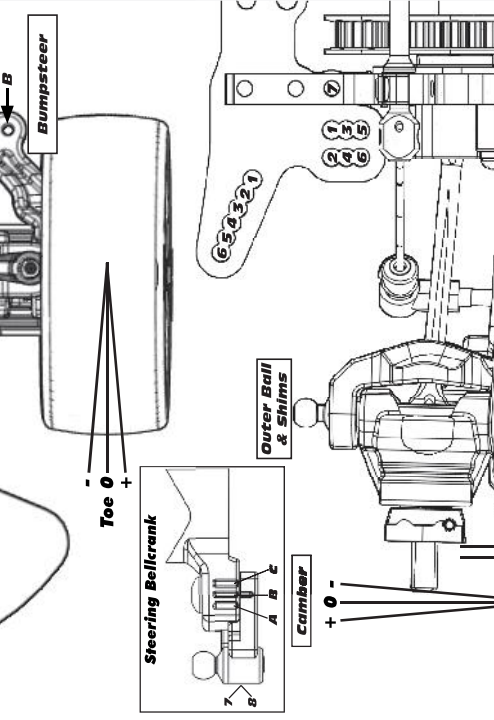
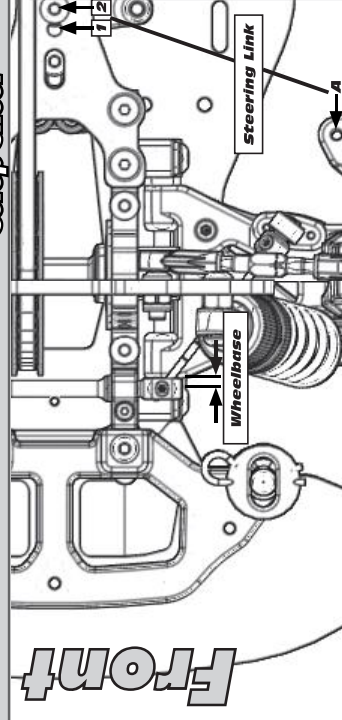
Type	gear diff
putty diff	gear diff
putty	30 wt
a	a
teeth at top	teeth at top

Tires

sorex 32 brca	Type	sorex 32 brca
	Tire Diameter	
	Insert & Wheel	
	Additive & Amount	

Chassis

stock	Chassis	stock
cut down middle	Top Plate	cut down middle



Speed Control

full	Transmitter	full
-15	Turning Circle:	full
full	Steering Expo:	-15
0	Brake E.P.:	full
	Throttle Expo:	0

Motor

/	Gearing	
---	---------	--

Notes:

E.S.C. Type:
 E.S.C. Settings: S.W. Ver.

Notes:
 ltr light
 mc33 wing

Notes:
 rear
 Notes:

Notes:
 Notes:

Notes:
 Notes:

Notes:
 Notes:

Notes:
 Notes:

Notes:
 Notes:

Notes:
 Notes:

Notes:
 Notes:

Notes:
 Notes:

Notes:
 Notes:

Notes:
 Notes:

Notes:
 Notes:

Notes:
 Notes:

Notes:
 Notes:

Notes:
 Notes:

Notes:
 Notes:

Notes:
 Notes:

Notes:
 Notes:

Notes:
 Notes:

Notes:
 Notes:

Notes:
 Notes:

Notes:
 Notes:

Notes:
 Notes:

Notes:
 Notes:

Notes:
 Notes: