

Front Suspension:

Reset Forms

Ride Height:	21 mm
Camber:	-1
Toe:	0
Arm Type:	#91674 Gullwing Arm, Hard
Tower Type:	#91663 Gullwing
Caster Block Insert:	5
Bulkhead Type:	#91656 Plastic
Kick-Up Angle:	25
Wheel Hex:	#91682 Aluminum
Notes:	#91667 Plastic Steering Assembly #1364 Factory Team Aluminum Steering Horn

Anti Roll Bar:

None

White (0.8mm)

Gray (0.9mm)

Blue (1.0mm)

Other:

Bump Steer Spacing: 2 mm

Axle Height:

+3

+2

+1

0

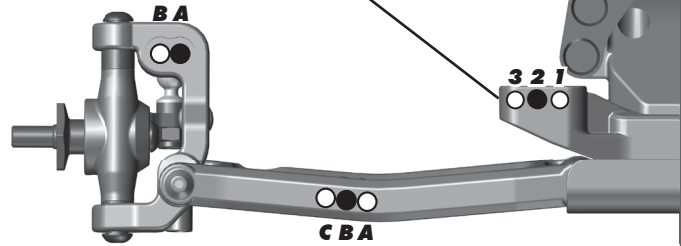
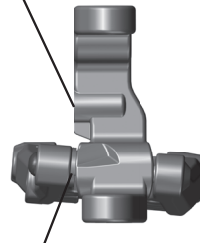
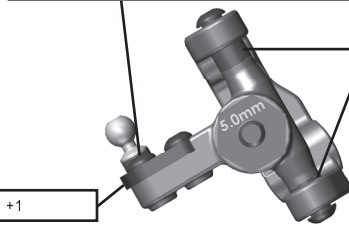
Ball Stud Spacing: 1 mm

Steering Plate: +1

Steering Stop Spacing: 0

Ball Stud Spacing: 1 mm

Caster Block Spacing: 1 mm



Rear Suspension:

Ride Height:	21 mm
Camber:	-1
Wheel Hex:	#71034 6 mm
Hub Spacing:	Forward <input checked="" type="checkbox"/> Middle <input type="checkbox"/> Back <input type="checkbox"/>
Shock Mounting Position:	Front of Arm <input checked="" type="checkbox"/> Rear of Arm <input type="checkbox"/>
Notes:	#91690 Brass Arm Mount, C 25g #91688 Aluminum Arm Mount, D #91696 Rear Arms, Hard

Anti Roll Bar:

None

White (1.2mm)

Gray (1.3mm)

Blue (1.4mm)

Other:

Rear Hub Link Setting:

Up

E C A

D B

Down

D

E C A

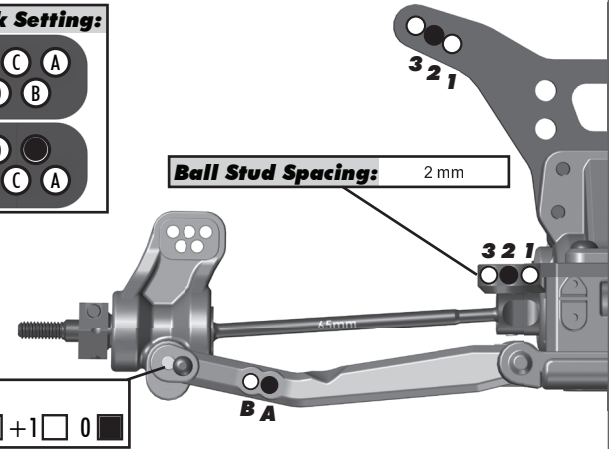
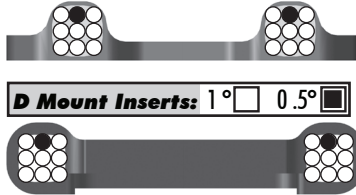
C Mount Inserts: 1° 0.5°

D Mount Inserts: 1° 0.5°

Hub Insert:

+3 +2 +1 0

Ball Stud Spacing: 2 mm



Electronics:

Radio:	Sanwa M12S	Servo:	Reedy RT1408 LP
EPA: Throttle:	100	% Brake:	63 %
ESC:	Reedy Blackbox 1000z+		
ESC Settings:	3 / 2 / 1 / 3 / 3 / 2 / 1 / 1		
Motor:	Reedy M3		
Wind:	7.5	Timing:	20
Pinion:	22	Spur:	78
Battery:	#319 Reedy 3900 LP Shorty + #27304 Reedy 56G Under Battery Weights		
Battery Position:	4F		

Drivetrains:

Transmission:			
3 Gear:	<input checked="" type="checkbox"/>	4 Gear:	<input type="checkbox"/>
Stand Up:	<input type="checkbox"/>	Lay Down:	<input checked="" type="checkbox"/>
Differential:			
Ball Diff:	<input checked="" type="checkbox"/>	Gear Diff:	<input type="checkbox"/>
Notes:	Tight		
Slipper Clutch:			
Type:	Team Associated		
# of Pads:	2		

Shocks:

	Front	Rear
Piston:	3 x 1.4 Flat Machined	3 x 1.4 Flat Machined
Fluid:	32.5 wt	30 wt
Spring:	X-Gear Gold	Green
Limiters:	1	0
Stroke:	21.5 mm	27.75 mm
Eyelet Length:	Short	Short
Cup Offset:	5 mm	5 mm
Notes:		



Track Info:

Size:	Small <input type="checkbox"/> Medium <input type="checkbox"/> Large <input checked="" type="checkbox"/> Extra Large <input type="checkbox"/>		
Surface:	Dirt <input checked="" type="checkbox"/> Carpet <input type="checkbox"/> AstroTurf <input type="checkbox"/> Multi Surface <input type="checkbox"/>		
Traction:	Low <input type="checkbox"/> Medium <input checked="" type="checkbox"/> High <input checked="" type="checkbox"/> Very High <input type="checkbox"/>		
Moisture:	Dry <input type="checkbox"/> Damp <input checked="" type="checkbox"/> Wet <input type="checkbox"/>		
Condition:	Indoor <input checked="" type="checkbox"/> Outdoor <input type="checkbox"/> Dusty <input checked="" type="checkbox"/> Hard Packed <input checked="" type="checkbox"/> Bumpy <input checked="" type="checkbox"/> Grooved <input checked="" type="checkbox"/> Smooth <input type="checkbox"/> Loamy <input type="checkbox"/>		
Temperature: Ambient:	75F	Track:	75F
Notes:	High Humidity		

Tires:

Front Tires:	JConcepts Space Bars
Front Compound:	Gold
Front Insert:	JConcepts Dirt Tech
Rear Tires:	JConcepts Space Bars
Rear Compound:	Gold
Rear Insert:	JConcepts Dirt Tech
Wheel (F/R):	JConcepts Mono
Notes:	Spec Tire Additive

Body, Wing, Weight:

Body:	JConcepts S2
Wing:	JConcepts Aero Front & Rear
Wing Angle:	0° <input type="checkbox"/> 3° <input type="checkbox"/> 6° <input checked="" type="checkbox"/>
Servo Weights:	None <input checked="" type="checkbox"/> Aluminum <input type="checkbox"/> Steel <input type="checkbox"/> Other <input type="checkbox"/>
Electronic Weights:	None <input checked="" type="checkbox"/> Aluminum <input type="checkbox"/> Steel <input type="checkbox"/> Other <input type="checkbox"/>
Total Vehicle Weight:	1560g

Vehicle Comments:

Notes: #91755 Titanium Screw Kit