

Front Suspension:

Reset Forms

Ride Height:	17 mm
Camber:	-1.5°
Toe:	+1
Arm Type:	#91673 Gullwing, Standard
Tower Type:	#91663 Gullwing
Caster Block Insert:	5°
Bulkhead Type:	#91659 Brass
Kick-Up Angle:	25°
Wheel Hex:	#91682 Kit Aluminum
Notes:	#91668 FT Aluminum Steering Bellcranks #91667 B6 Steering Assembly (Plastic Rack) #1366 FT Aluminum Servo Horn

Anti Roll Bar:

None

White (0.8mm)

Gray (0.9mm)

Blue (1.0mm)

Other: _____

Bump Steer Spacing: 0 mm

Axle Height:

+3

+2

+1

0

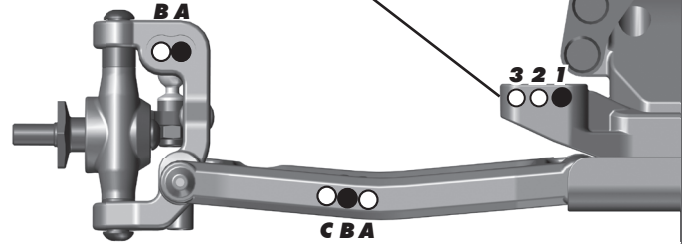
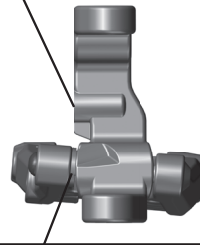
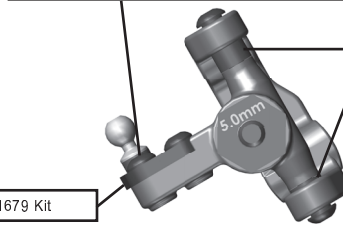
Ball Stud Spacing: 2 mm

Steering Plate: #91679 Kit

Steering Stop Spacing: 0

Ball Stud Spacing: 1 mm

Caster Block Spacing: 1 mm



Rear Suspension:

Ride Height:	17 mm
Camber:	-1.5°
Wheel Hex:	#91610 7.0 mm
Hub Spacing:	Forward <input type="checkbox"/> Middle <input type="checkbox"/> Back <input checked="" type="checkbox"/>
Shock Mounting Position:	Front of Arm <input checked="" type="checkbox"/> Rear of Arm <input type="checkbox"/>
Notes:	#91695 Rear Arms, Standard #91686 Aluminum Arm Mount, C #91605 CVA Axle Shims

Anti Roll Bar:

None

White (1.2mm)

Gray (1.3mm)

Blue (1.4mm)

Other: _____

Rear Hub Link Setting:

Up

E C A

D B

Down

D B

E A

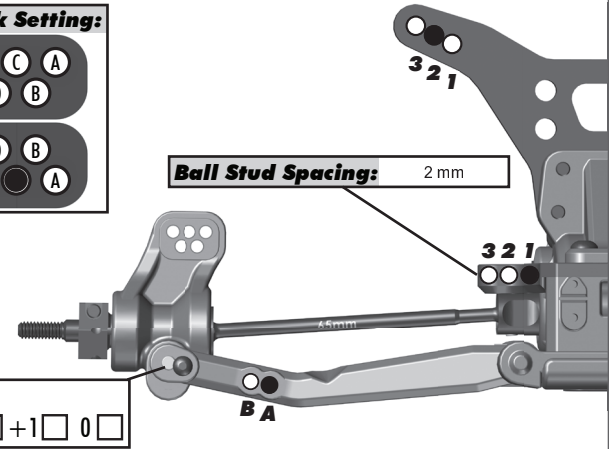
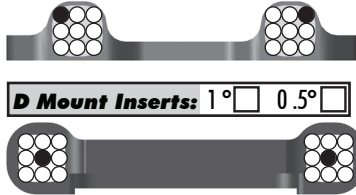
C Mount Inserts: 1° 0.5°

D Mount Inserts: 1° 0.5°

Hub Insert:

+3 +2 +1 0

Ball Stud Spacing: 2 mm



Electronics:

Radio:	KO	Servo:	#27101 Reedy RT1508
EPA: Throttle:	%	Brake:	%
ESC:	Reedy Blackbox 510R		
ESC Settings:	See Setup Sheet		
Motor:	Reedy M3		
Wind:	6.5	Timing:	34°
Pinion:	22	Spur:	78
Battery:	#27310 Reedy Zapper 3600mAh LP		
Battery Position:	5F (#27304 Reedy Under Battery Weight = 58g)		

Drivetrains:

Transmission:			
3 Gear:	<input checked="" type="checkbox"/>	4 Gear:	<input type="checkbox"/>
Stand Up:	<input type="checkbox"/>	Lay Down:	<input checked="" type="checkbox"/>
Differential:			
Ball Diff:	<input type="checkbox"/>	Gear Diff:	<input checked="" type="checkbox"/>
Notes:	6,000		
Slipper Clutch:			
Type:	#7495 FT Vented, V2		
# of Pads:	#91197 LCF Slipper Pads		

Shocks:

	Front	Rear
Piston:	2 x 1.6 Flat	2 x 1.7 Flat
Fluid:	35 wt	30 wt
Spring:	Purple	Blue
Limiters:	1	0
Stroke:	21 mm	29.5 mm
Eyelet Length:	Short	Short
Cup Offset:	5 mm	0 mm
Notes:	#91494 Machined Internals, #91493 X-Rings	



Track Info:

Size:	Small <input type="checkbox"/> Medium <input checked="" type="checkbox"/> Large <input type="checkbox"/> Extra Large <input type="checkbox"/>		
Surface:	Dirt <input type="checkbox"/> Carpet <input checked="" type="checkbox"/> Astroturf <input type="checkbox"/> Multi Surface <input type="checkbox"/>		
Traction:	Low <input type="checkbox"/> Medium <input type="checkbox"/> High <input checked="" type="checkbox"/> Very High <input type="checkbox"/>		
Moisture:	Dry <input checked="" type="checkbox"/> Damp <input type="checkbox"/> Wet <input type="checkbox"/>		
Condition:	Indoor <input checked="" type="checkbox"/> Outdoor <input type="checkbox"/> Dusty <input checked="" type="checkbox"/> Hard Packed <input type="checkbox"/> Bumpy <input type="checkbox"/> Grooved <input type="checkbox"/> Smooth <input checked="" type="checkbox"/> Loamy <input type="checkbox"/>		
Temperature: Ambient:	22C	Track:	22C
Notes:			

Tires:

Front Tires:	Schumacher LP Cut Stagger (U6801)
Front Compound:	Yellow
Front Insert:	None
Rear Tires:	Schumacher Minipin (U6792)
Rear Compound:	Yellow
Rear Insert:	Standard
Wheel (F/R):	Team Associated
Notes:	

Body, Wing, Weight:

Body:	JConcepts S2 Lightweight
Wing:	JConcepts Aero (Long Cord) / JConcepts Aero Wide Front
Wing Angle:	0° <input type="checkbox"/> 3° <input type="checkbox"/> 6° <input checked="" type="checkbox"/>
Servo Weights:	None <input type="checkbox"/> Aluminum <input type="checkbox"/> Steel <input checked="" type="checkbox"/> Other <input type="checkbox"/>
Electronic Weights:	None <input type="checkbox"/> Aluminum <input type="checkbox"/> Steel <input checked="" type="checkbox"/> Other <input type="checkbox"/>
Total Vehicle Weight:	1569g

Vehicle Comments:

Notes: #91653 Side Rails, Hard; #91755 FT Titanium Screw Kit; #91616 & #91620 FT Shock Shafts (V2), Chrome; #91576 & #91577 Fox Shock Bodies