

Front Suspension:

Reset Forms

Ride Height:	17 mm
Camber:	-1°
Toe:	0°
Arm Type:	#91672 Gullwing, Standard
Tower Type:	Gullwing
Caster Block Insert:	5°
Bulkhead Type:	#91658 Aluminum
Kick-Up Angle:	25°
Wheel Hex:	#91683 Titanium
Notes:	#91668 Aluminum Steering Bellcrank #91167 Plastic Steering Rack #1366 FT Aluminum Servo Horn, 25T

Anti Roll Bar:	None <input checked="" type="checkbox"/>
	White (0.8mm) <input type="checkbox"/>
	Gray (0.9mm) <input type="checkbox"/>
	Blue (1.0mm) <input type="checkbox"/>
	Other: <input type="checkbox"/>

Bump Steer Spacing: 0 mm

Axle Height:	+3 <input checked="" type="checkbox"/>
	+2 <input type="checkbox"/>
	+1 <input type="checkbox"/>
	0 <input type="checkbox"/>

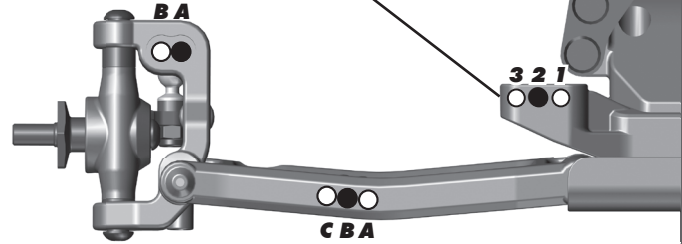
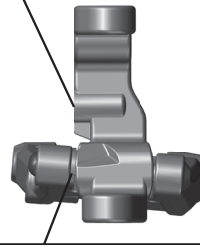
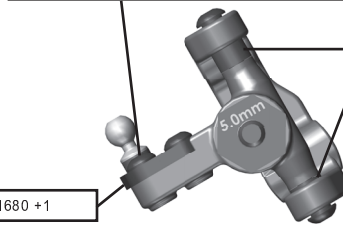
Ball Stud Spacing: 1 mm

Steering Plate: #91680 +1

Steering Stop Spacing: 0

Ball Stud Spacing: 1 mm

Caster Block Spacing: 1 mm



Rear Suspension:

Ride Height:	17 mm
Camber:	-1°
Wheel Hex:	#71034 6.0 mm
Hub Spacing:	Forward <input type="checkbox"/> Middle <input type="checkbox"/> Back <input checked="" type="checkbox"/>
Shock Mounting Position:	Front of Arm <input checked="" type="checkbox"/> Rear of Arm <input type="checkbox"/>
Notes:	#91687 Brass "C" Arm Mount, 12G #91688 Aluminum "D" Arm Mount

Anti Roll Bar:	None <input type="checkbox"/>
	White (1.2mm) <input type="checkbox"/>
	Gray (1.3mm) <input checked="" type="checkbox"/>
	Blue (1.4mm) <input type="checkbox"/>
	Other: <input type="checkbox"/>

Rear Hub Link Setting:

Up: E C A
D B

Down: D B
E A

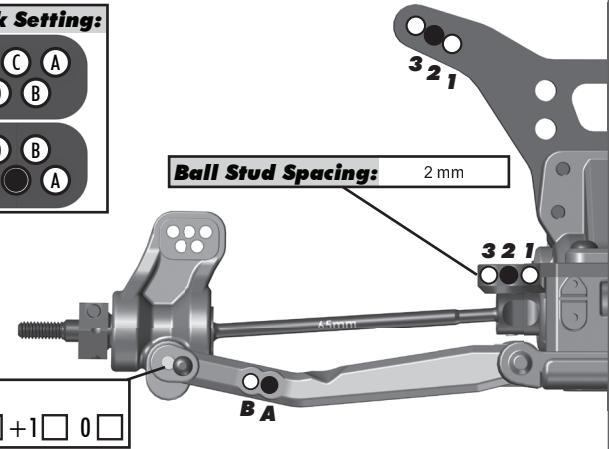
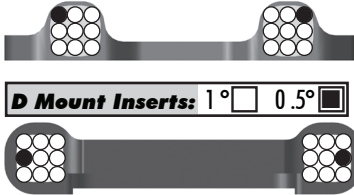
C Mount Inserts: 1° 0.5°

D Mount Inserts: 1° 0.5°

Hub Insert:

+3 +2 +1 0

Ball Stud Spacing: 2 mm



Electronics:

Radio: Sanwa M12S	Servo: #27100 Reedy RS1206
EPA: Throttle: 100 %	Brake: 92% %
ESC: Reedy Blackbox 510R	
ESC Settings: N/A	
Motor: Reedy M3 (#275 12.5 Mod Rotor)	
Wind: 6.5	Timing: 14°
Pinion: 22	Spur: 78
Battery: #27307 Reedy Zapper 5800 mAh 70C	
Battery Position: 4F	

Drivetrains:

Transmission:	
3 Gear: <input checked="" type="checkbox"/>	4 Gear: <input type="checkbox"/>
Stand Up: <input type="checkbox"/>	Lay Down: <input checked="" type="checkbox"/>
Differential:	
Ball Diff: <input type="checkbox"/>	Gear Diff: <input checked="" type="checkbox"/>
Notes: 5,000 - 2 Gears	
Slipper Clutch:	
Type: #7485 FT V2 Slipper Hub	
# of Pads: 2 - #91197 LCF	

Shocks:

	Front	Rear
Piston:	2 x 1.6 Flat	1 x 1.7 + 1 x 1.8 Flat
Fluid:	35 wt	32.5 wt
Spring:	AE Gray	AE Green
Limiters:	1	0
Stroke:	21 mm	27.5 mm
Eyelet Length:	Short	Long
Cup Offset:	5 mm	0 mm
Notes:	#91494 Machined Internals, #91493 X-Rings	



Track Info:

Size: Small <input type="checkbox"/> Medium <input checked="" type="checkbox"/> Large <input type="checkbox"/> Extra Large <input type="checkbox"/>
Surface: Dirt <input type="checkbox"/> Carpet <input type="checkbox"/> Astroturf <input checked="" type="checkbox"/> Multi Surface <input type="checkbox"/>
Traction: Low <input type="checkbox"/> Medium <input checked="" type="checkbox"/> High <input type="checkbox"/> Very High <input type="checkbox"/>
Moisture: Dry <input type="checkbox"/> Damp <input checked="" type="checkbox"/> Wet <input type="checkbox"/>
Condition: Indoor <input checked="" type="checkbox"/> Outdoor <input type="checkbox"/> Dusty <input type="checkbox"/> Hard Packed <input type="checkbox"/> Bumpy <input type="checkbox"/> Grooved <input type="checkbox"/> Smooth <input checked="" type="checkbox"/> Loamy <input type="checkbox"/>
Temperature: Ambient: 70F Track: 70F
Notes: Astroturf laid over on itself and got slick in spots

Tires:

Front Tires: Schumacher LP Stagger
Front Compound: Yellow
Front Insert: None
Rear Tires: Schumacher Mini Dart
Rear Compound: Yellow
Rear Insert: Schumacher
Wheel (F/R): Team Associated
Notes: Spec Tire

Body, Wing, Weight:

Body: JConcepts S2 Lightweight
Wing: JConcepts Aero / JConcepts Front Narrow Aero
Wing Angle: 0° <input type="checkbox"/> 3° <input type="checkbox"/> 6° <input checked="" type="checkbox"/>
Servo Weights: None <input type="checkbox"/> Aluminum <input type="checkbox"/> Steel <input checked="" type="checkbox"/> Other <input type="checkbox"/>
Electronic Weights: None <input type="checkbox"/> Aluminum <input type="checkbox"/> Steel <input checked="" type="checkbox"/> Other <input type="checkbox"/>
Total Vehicle Weight: 1520g

Vehicle Comments:

Notes: #91576 & 91577 Fox Shock Bodies; #91616 & 91620 Chrome Shock Shafts;