

:: Body Install (cont.)

STEP 1

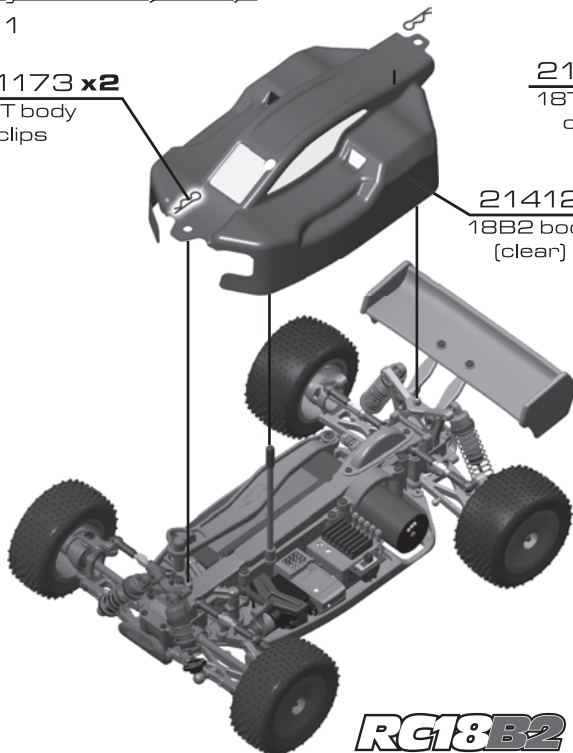
21173 x2
18T body clips

21173 x3
18T body clips

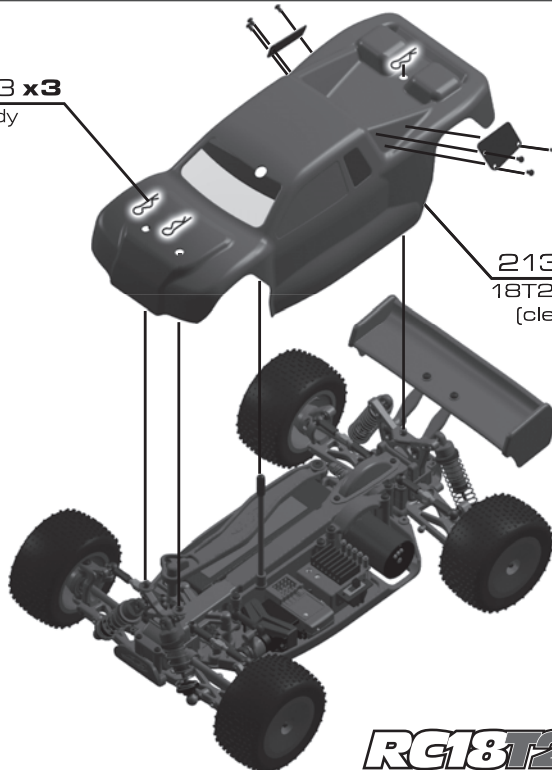
21412
18B2 body (clear)

21130 x6
M2x3mm bhps

21340
18T2 body (clear)



RC18B2



RC18T2

:: Shocks

21182 Shock Caps	4	21191	21182
21185 Spring Retainers	4		21190
21180 18T Rear Shocks	Pr.		
21181 18T Front Shocks	Pr.		
21189 Ballcaps, short	12		
21190 Shock Rebuild Kit, rebuilds 4 shocks	Set		21180 21181
21191 18T Shock Accessories	Set		
21197 Front Shock Spring, silver, 2.55 lb/in	Pr.		
21198 Front Shock Spring, blue, 3.0 lb/in (Kit)	Pr.		
21199 Front Shock Spring, gold, 3.45 lb/in	Pr.		
21201 Rear Shock Spring, silver, 1.64 lb/in (Kit)	Pr.		
21202 Rear Shock Spring, blue, 1.90 lb/in	Pr.		
21203 Rear Shock Spring, gold, 2.35 lb/in	Pr.		
21268 18 Series Spring Kit, (6 springs)	Set		

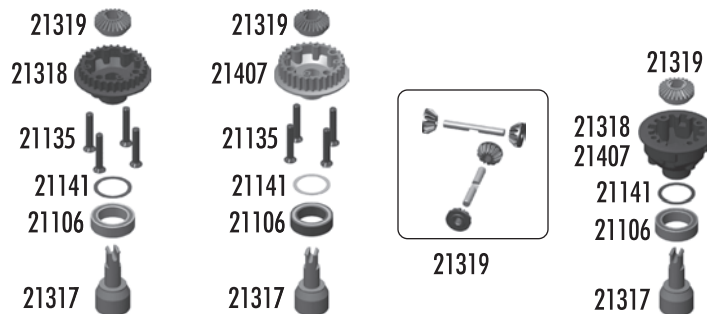
:: Shock Oil

5420 10 Weight Silicone Shock Oil	2oz.
5421 20 Weight Silicone Shock Oil	2oz.
5422 30 Weight Silicone Shock Oil	2oz.
5423 40 Weight Silicone Shock Oil	2oz.
5425 80 Weight Silicone Shock Oil	2oz.
5427 15 Weight Silicone Shock Oil	2oz.
5428 25 Weight Silicone Shock Oil	2oz.
5429 35 Weight Silicone Shock Oil	2oz.
5430 45 Weight Silicone Shock Oil	2oz.
5431 55 Weight Silicone Shock Oil	2oz.
5435 50 Weight Silicone Shock Oil	2oz.
5436 60 Weight Silicone Shock Oil	2oz.
5437 70 Weight Silicone Shock Oil	2oz.



:: Gear Differential

21106 Bearings, 8x12x3.5mm rubber sealed	Pr.
21135 M2x12mmFHPS	20
21141 Shim Set, .324x.409x.005	4
21317 Gear Diff Outdrives	2
21318 Gear Diff Case, Front (narrow)	Set
21319 Internal Diff Gears	Set
21335 Complete Gear Diff, Front	1
21406 Complete Gear Diff, Rear	1
21407 Gear Diff Case, Rear (wide)	Set



:: Lubes and Adhesives

1105 Green Slime Shock Lube	4cc
1596 FT Locking Compound	10ml
1597 FT Tire Adhesive	.70oz
6588 Black Grease	4cc
6591 S. Diff Lube	4cc
6636 Silicone Grease	4cc
6727 Servo Tape Strips	2



:: Turnbuckles

21338	RC18B2, RC18T2 Molded Turnbuckles	Set
:: FT Optional Parts		
21343	RC18B2, RC18T2 Steel Turnbuckles	2
21387	FT Ballcaps	12

Front Camber Turnbuckle

21338



Front Camber Turnbuckle FT Option

21387 21343 21387



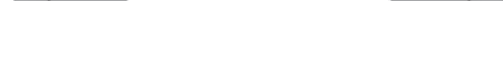
Front Steering Turnbuckle

21338



Front Steering Turnbuckle FT Option

21387 21343 21387



Rear Camber Turnbuckle

21338



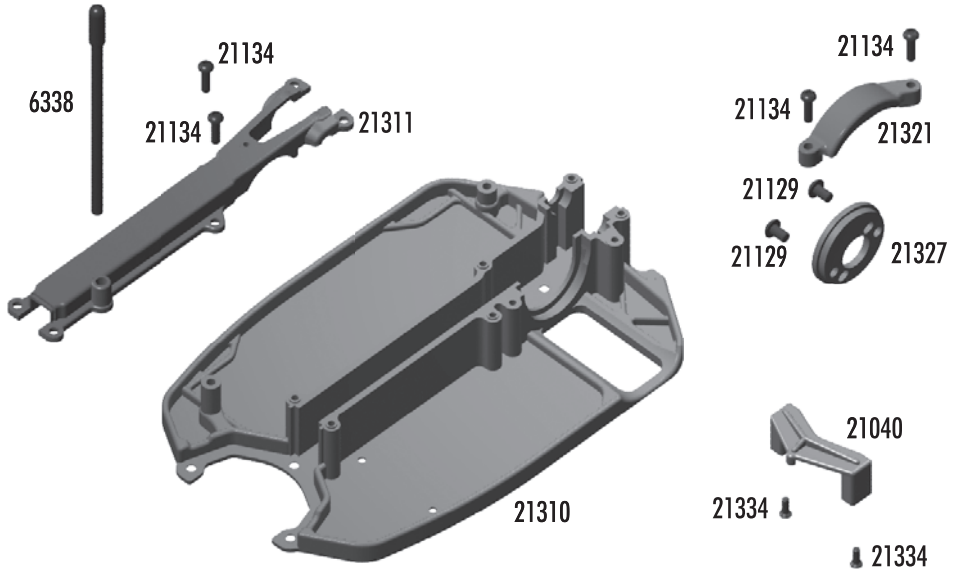
Rear Camber Turnbuckle FT Option

21387 21343 21387



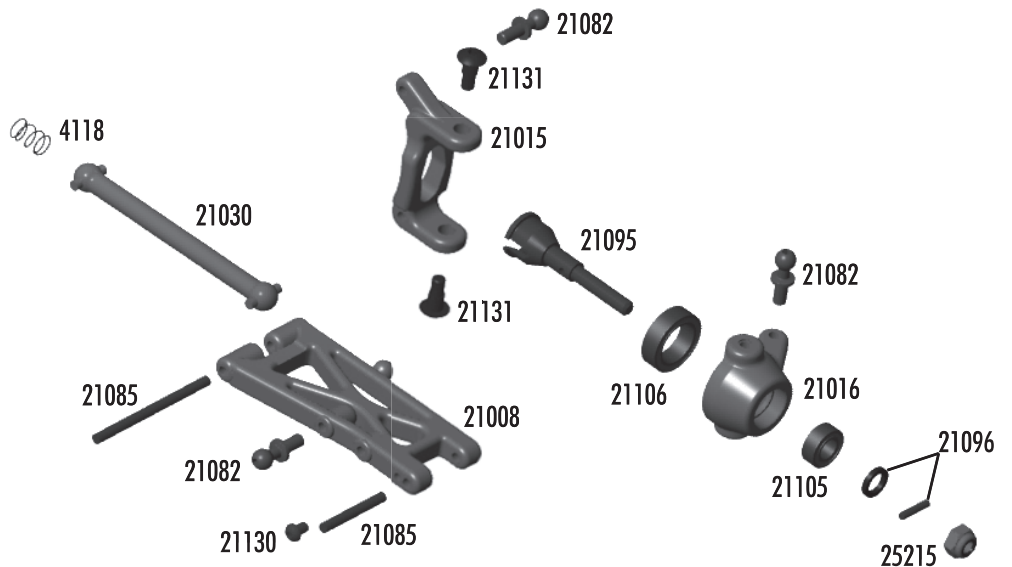
:: Chassis

6338	Antenna tube and cap, 12"	1
21040	Servo Mount	1
21129	M3x5mm BHPS, (motor screws)	20
21134	M2.5x9 BHPS	20
21310	Chassis	1
21311	Center Top Plate	1
21321	Motor Mount Clamp	1
21327	Motor Mount	1
21334	M2x6mm FHPS	20



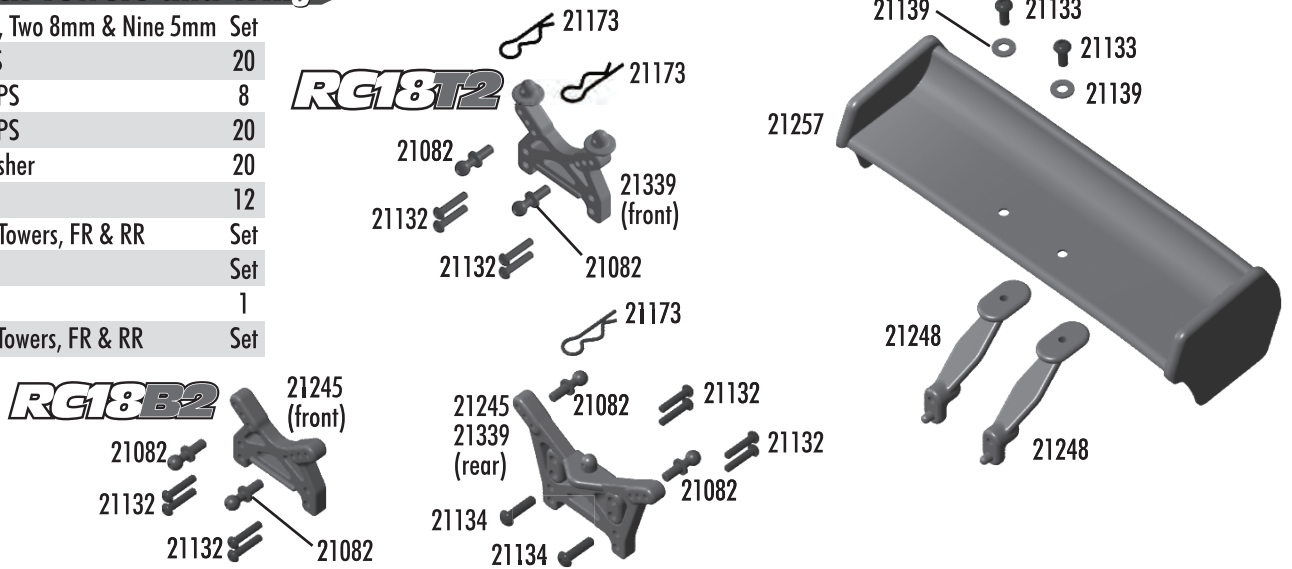
:: Front Arms

4118	.014 Springs	2
21008	Suspension Arms	Pr.
21015	Caster Blocks (L/R)	Pr.
21016	Steering Blocks	Pr.
21030	Dogbones & Springs	Pr.
21082	Ballstud Set, Two 8mm & Nine 5mm	Set
21085	Hinge Pin Set	Set
21095	Stub Axles	Pr.
21096	Stub Axle Pins & Spacers	Set
21105	Bearings, 4x8x3mm rubber sealed	2
21106	Bearings, 8x12x3.5mm rubber sealed	2
21130	M2x3mm BHPS	20
21131	M2.5x3mm BHPS	4
25215	M3 Locknut	20



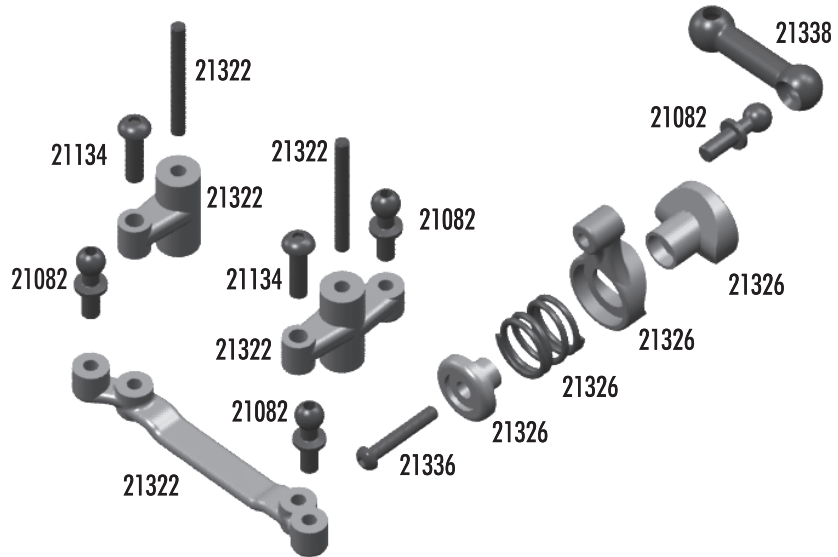
:: FR / RR Shock Towers and Wing

21082	FT Ballstud Set, Two 8mm & Nine 5mm	Set
21132	M2x9mm BHPS	20
21133	M2.5x6mm BHPS	8
21134	M2.5x9mm BHPS	20
21139	M2.6x6mm Washer	20
21173	18T Body Clips	12
21245	RC18B2 Shock Towers, FR & RR	Set
21248	Wing Mount	Set
21257	Wing, clear	1
21339	RC18T2 Shock Towers, FR & RR	Set



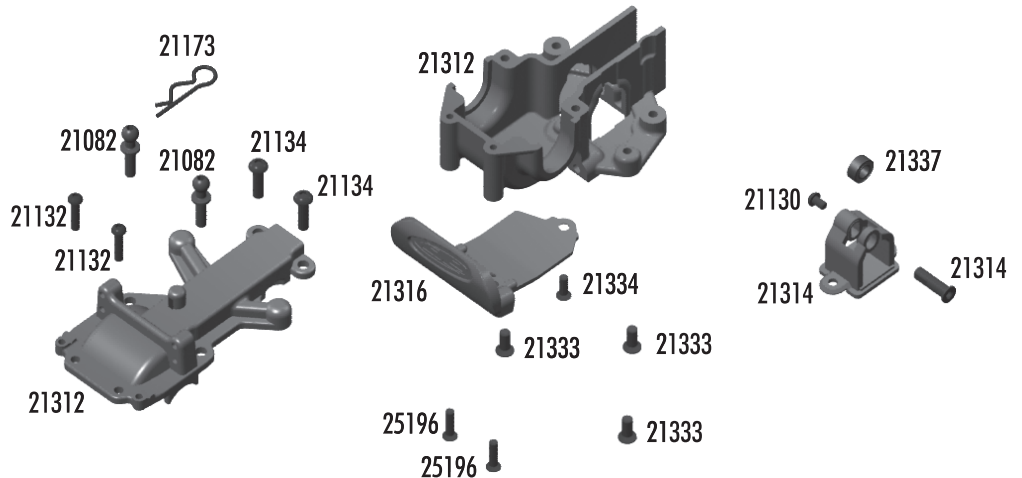
:: Steering

21082	FT Ballstud Set, Two 8mm & Nine 5mm	Set
21134	M2.5x9mm BHPS	20
21322	Steering Rack / Bellcrank	Set
21326	Servo Saver / Horns	Set
21336	M2x12mm BHPS	20
21338	RC18B2 / T2 Molded Tie Rod Links	Set



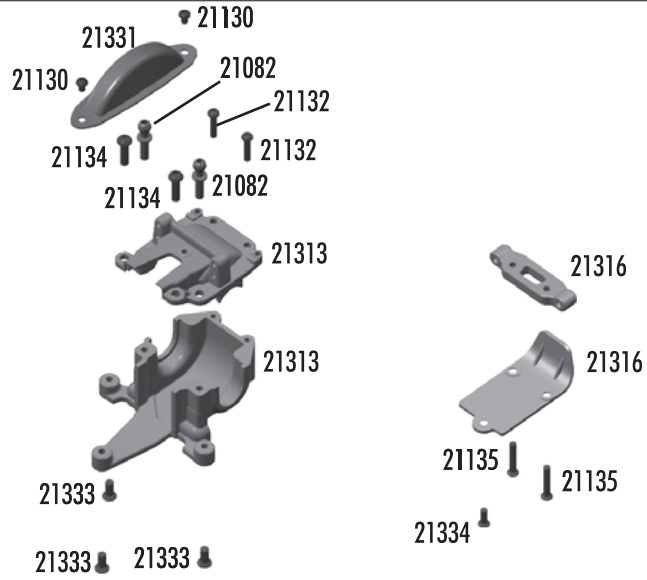
:: Front Gearbox

21082	Ballstud Set, Two 8mm & Nine 5mm	Set
21130	M2x3mm BHPS	20
21132	M2x9mm BHPS	20
21134	M2.5x9mm BHPS	20
21173	18T Body Clips	12
21312	Front Gearbox	Set
21314	Belt Tensioner	Set
21316	Arm Mount / Bumpers	Set
21333	M2.5x6mm FHPS	20
21334	M2x6mm FHPS	20
21337	Bearing 3x6x2.5mm	2
25196	M2x8mm FHPS	20



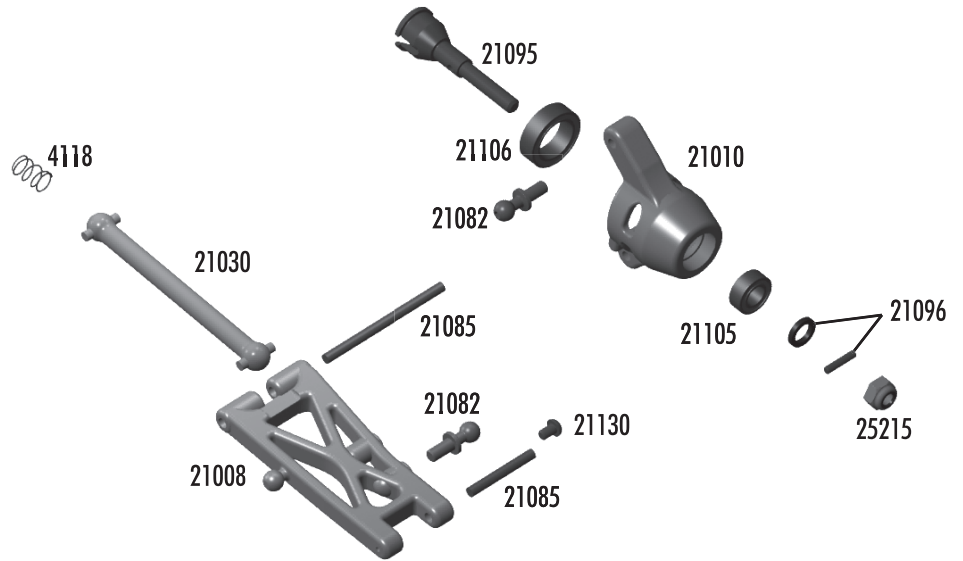
:: Rear Gearbox

21082	Ballstud Set, Two 8mm & Nine 5mm	Set
21130	M2x3mm BHPS	20
21132	M2x9mm BHPS	20
21134	M2.5x9mm BHPS	20
21135	M2x12mm FHPS	20
21313	Rear Gearbox	Set
21316	Arm Mount / Bumpers	Set
21331	Spur Gear Cover	1
21333	M2.5x6mm FHPS	20
21334	M2x6mm FHPS	20



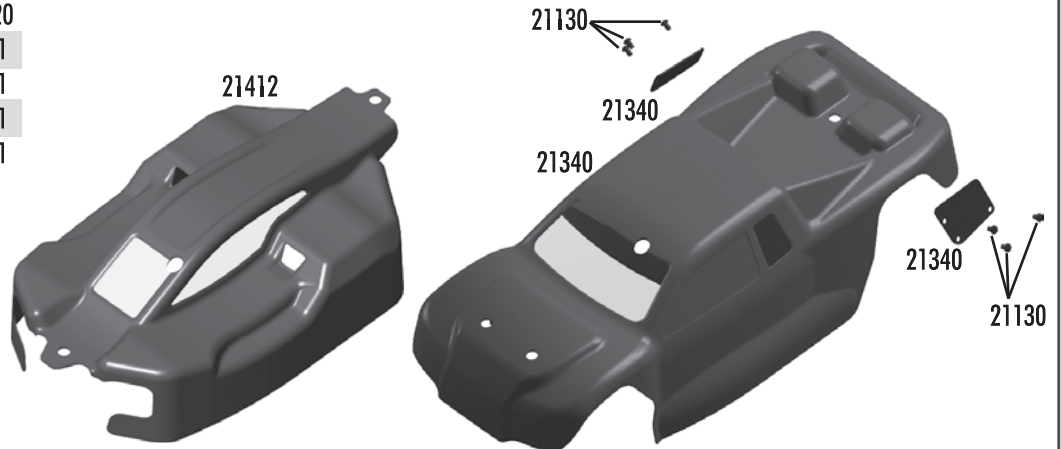
:: Rear Arms

4118	.014 Springs	2
21008	Suspension Arms	Pr.
21010	Rear Hubs	Pr.
21030	Dogbones & Springs	Pr.
21082	Ballstud Set, Two 8mm & Nine 5mm	Set
21085	Hinge Pin Set	Set
21095	Stub Axles	Set
21096	Stub Axle Pins & Spacers	Set
21105	Bearings, 4x8x3mm	2
21106	Bearings, 8x12x3.5mm	2
21130	M2x3mm BHPS	20
25215	M3 Locknuts	20



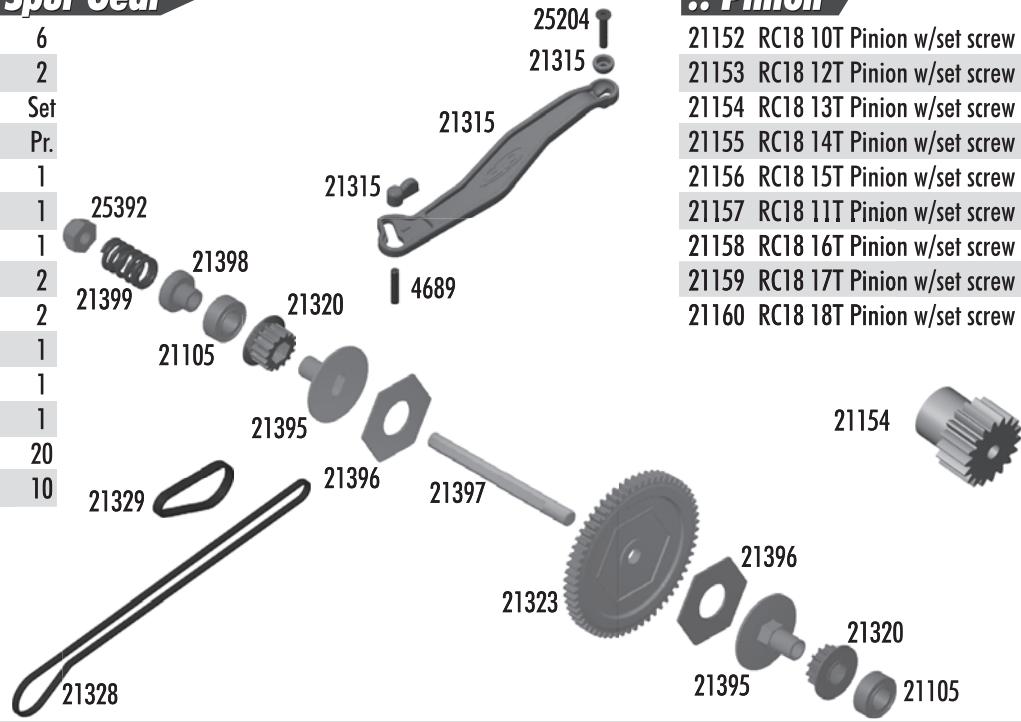
:: Bodies / Decals

21130	M2x3mm BHPS	20
21340	RC18T2 Body, clear	1
21412	RC18B2 Body, clear	1
21410	RC18T2 Decal Sheet	1
21411	RC18B2 Decal Sheet	1



:: Battery Strap / Belts / Spur Gear

4689	M3x16mm Set Screw	6
21105	Bearings, 4x8x3mm rubber sealed	2
21315	Battery Strap	Set
21320	Spur Gear Pulley Set	Pr.
21323	Spur Gear (60T) Kit	1
21328	Front Belt	1
21329	Rear Belt	1
21395	FT Slipper Hub	2
21396	FT Slipper Pads	2
21397	FT Slipper Shaft	1
21398	FT Slipper Shaft Spacer	1
21399	FT Slipper Spring	1
25204	M3x16mm FHPS	20
25392	FT 3mm Locknuts, blue	10

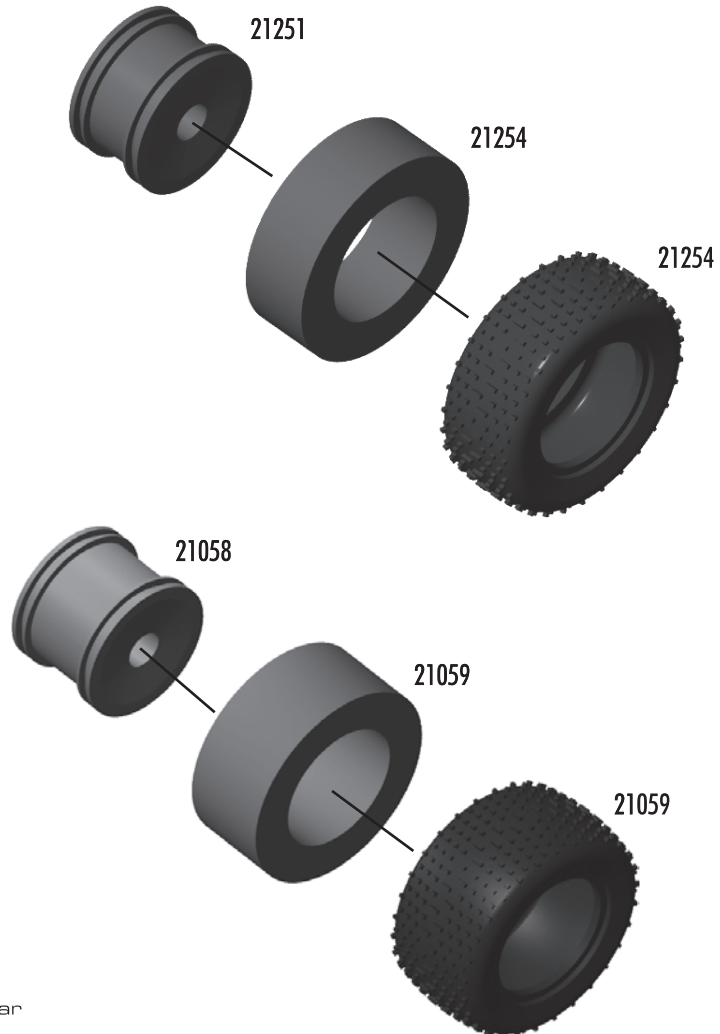


:: Pinion

21152	RC18 10T Pinion w/set screw	1
21153	RC18 12T Pinion w/set screw - Kit	1
21154	RC18 13T Pinion w/set screw	1
21155	RC18 14T Pinion w/set screw	1
21156	RC18 15T Pinion w/set screw	1
21157	RC18 11T Pinion w/set screw	1
21158	RC18 16T Pinion w/set screw	1
21159	RC18 17T Pinion w/set screw	1
21160	RC18 18T Pinion w/set screw	1

:: Wheels / Tires

21058	White Dish Wheels - (Kit)	Pr.
21059	Mini-Pin Tires w/Inserts - (Kit)	Pr.
21060	Tires / White Dish Wheels, Mounted	Pr.
21061	Chrome Wheels	Pr.
21062	Tires / Chrome Wheels, Mounted	Pr.
21067	LPR Foam Tires, Mounted	Pr.
21250	Narrow Spoked Wheel, white	Pr.
21251	Narrow Dish Wheel, white - (Kit)	Pr.
21252	Standard Spoked Wheel, white	Pr.
21253	Narrow Spoked Wheel, white, mounted	Pr.
21254	Narrow Mini-Pin Tires with Foam Inserts - (Kit)	Pr.
21255	Standard Spoked Wheel, white, mounted	Pr.
21271	Narrow Dish Wheel, white, mounted	Pr.
21272	Narrow Dish Wheel, chrome	Pr.
21273	Narrow Dish Wheel, chrome, mounted	Pr.
21274	Narrow Spoked Wheel, chrome	Pr.
21275	Narrow Spoked Wheel, black	Pr.
21276	Narrow Spoked Wheel, chrome mounted	Pr.
21277	Narrow Spoked Wheel, black, mounted	Pr.
21278	Standard Spoked Wheel, chrome	Pr.
21279	Spoked Wheels, black	Pr.
21280	Spoked Wheels / Tires, chrome, Mounted	Pr.
21281	Spoked Wheels / Tires, black, Mounted	Pr.



"Narrow" = RC18B2 Front
 "Standard" or Other = RC18B2 Rear / T2 Front & Rear

:: Factory Team Options

1736	FT Body Clips, blue short	6
21031	FT Aluminum Dogbones, w/springs	Set
21214	FT Front Threaded Shock Bodies & Collars	Pr.
21215	FT Rear Threaded Shock Bodies, w/collars	Pr.
21216	FT Front Threaded Shock Kit, with Collars	Pr.
21217	FT Rear Threaded Shock Kit, w/collars	Set
21220	FT Suspension Arms, blue aluminum	Pr.
21221	FT 18T2 Blue Aluminum Front Shock Tower	1
21223	FT Steering Blocks, blue aluminum	Pr.
21224	FT Hub Carriers, blue aluminum	Pr.
21225	FT Caster Blocks, blue aluminum	Pr.
21230	FT MIP CVD Axles	Set
21231	MIP CVD Rebuild Kit	Set
21232	FT CVD Axle Pins	4
21241	FT Ballstuds, blue aluminum (Two 8mm and Nine 5mm)	Set
21243	FT Blue Outdrive Sleeves	4
21265	FT 18B2 Blue Aluminum Front Shock Tower	1
21266	FT 18B, 18B2, 18T2 Blue Aluminum Rear Shock Tower	1
21270	18B Billet Kit	Kit
21330	Bearing Set	Set
21343	RC18B2, RC18T2 Steel Turnbuckles	2
21381	Complete Ball Diff Kit, Front	Set
21382	Diff Rebuild Kit	Set
21383	Carbide Diff Balls	10
21384	Ball Diff Pulley, Front	1
21385	FT Anti-Roll Bar Link	4
21386	FT Anti-Roll Bar Set	Set
21387	FT Ballcups	12
21388	FT Spur Gear Bearing Caps	1
21389	FT Battery Retainer	1
21390	FT Pistons (4x 3 slot, 4x 4 slot pistons)	8
21391	FT Anti-Roll Bar Pivot	4
21392	FT Motor Mount	1
21393	FT RR Bulkhead	1
21394	FT FR Bulkhead	1
21395	FT Slipper Hub	2
21396	FT Slipper Pads	2
21397	FT Slipper Shaft	1
21398	FT Slipper Shaft Spacer	1
21399	FT Slipper Spring	1
21400	FT Chassis, graphite	1
21401	FT Top Plate, graphite	1
21402	FT Chassis Conversion Kit, graphite	Set
21404	18B2, 18T2 Titanium Turnbuckle Set	Set
21405	FT Complete Slipper Shaft Assembly	Set
21408	Complete Ball Diff Kit, Rear	Set
21409	Ball Diff Pulley, Rear	1
25392	FT 3mm Locknuts, blue	10
29137	18T XPS ESC Heatsink	1

:: Reedy Accessories

660	3.5mm plugs (3M, 3F)	1
718	LiPo Charging Sack	1

:: Reedy Motors

290	Stump Puller 19T	1
291	Mini-Mod 17T	1
292	Mini-Mod 19T	1
910	Micro Brushless Motor 5000kv	1
911	Micro Brushless Motor 5500kv	1
912	Micro Brushless Motor 6100kv	1
913	Micro Brushless Motor 7000kv	1
914	Micro Brushless Motor 8000kv	1
915	Micro Brushless Motor 9500kv	1

:: Reedy Electronics

610	Reedy 447-S AC/DC 4-7 Cell NiMH/NiCd Peak Prediction Charger	1
900	Micro Brushless ESC	1
930	Micro Brushless ESC w/5000kv Motor	Set
931	Micro Brushless ESC w/5500kv Motor	Set
932	Micro Brushless ESC w/6100kv Motor	Set
933	Micro Brushless ESC w/7000kv Motor	Set
934	Micro Brushless ESC w/8000kv Motor	Set
935	Micro Brushless ESC w/9500kv Motor	Set

:: Reedy Batteries

302	AA Alkaline 1.5V	4
303	AA 2700mAh NiMH 1.2V Rechargeable	4
618	1600 Series 7.2V NiMH Flat Micro Pack	1
620	Micro Pack 1800mAh 7.4V 20C LiPo	1
621	VMX 1600mAh NiMH 7.2V Flat Micro Pack	1
622	VMX 1600mAh NiMH 7.2V Stick Micro Pack w/TRA	1

:: Electronics

21149	18T 6-Cell Battery	1
21210	Super 370 Motor	1
29128	18T XP C1016 Servo	1
29129	XP C1016 Servo Gear Set	1
29130	XP TR203A Micro Receiver, for the 27MHZ (AM)	1
29136	XPS Micro ESC	1
29150	Charger Tx/Rx	1
29155	XP3D Radio & Receiver 27 MHZ (FM)	1
29156	XP3D Radio & Receiver 75 MHZ (FM)	1
29221	XP3-SS 2.4ghz Radio and Receiver	1
29222	XP3-SS 2.4ghz Receiver	1

Go to www.rc10.com for a complete listing of XP3D radio gear!

:: LRP

LRP41552	Pulsar 3 Charger	1
LRP43150	Power Supply 14 Amps	1
LRP45200	LiPo Balancer	1
LRP50240	Vector Micro Brushless 7900kv Motor	1
LRP50250	Vector Micro Brushless 6900kv Motor	1
LRP50260	Vector Micro Brushless 5900kv Motor	1
LRP80481	NEXXT 4X / Vector 7900kv Combo	Set
LRP80482	NEXXT 4X / Vector 6900kv Combo	Set
LRP80483	NEXXT 4X / Vector 5900kv Combo	Set
LRP80810	Quantum Competition 2 Micro ESC	1
LRP86500	NEXXT 4X Micro Brushless ESC	1

:: 1/18 Kits and RTR's

20101	RC18T2 RTR (ready-to-run)	1
20103	RC18B2 - RC18T2 Team Kit	1
20106	RC18B2 RTR (ready-to-run)	1
20110	RC18MT RTR (ready-to-run)	1
20115	RC18R Kamino RTR (ready-to-run)	1
20118	RC18R Niteline RTR (ready-to-run)	1
20120	SC18 RTR (ready-to-run)	1
20130	RC18LM RTR (ready-to-run)	1

:: 1/12, 1/10 Kits and RTR's

2033	FT Nitro TC3 Kit	1
2042	Nitro TC3 RTR Plus (ready-to-run)	1
4019	FT 12R5.1 Kit	1
7020	RC10T4 Team Truck Kit	1
7022	FT RC10T4 Team Truck Kit	1
7026	SC10 Lucas Oil Race Truck RTR (ready-to-run)	1
7027	SC10 2WD Short Course Race Truck Kit	1
7028	SC10 Pro Comp Race Truck RTR (ready-to-run)	1
7029	SC10 Associated/RC10.com Race Truck RTR (ready-to-run)	1
7030	SC10 KMC Wheels Race Truck RTR (ready-to-run)	1
7031	SC10 Bullydog/RC10.com Race Truck RTR (ready-to-run)	1
7032	SC10 Ready Lift RTR (ready-to-run)	1
7036	RC10T4 RTR 2.4GHz Brushed (ready-to-run)	1
7037	RC10T4 RTR 2.4GHz Brushless (ready-to-run)	1
7080	FT GT2 Nitro Truck Kit	1
7092	GT2 RS Truck Nitro RTR (ready-to-run)	1
8020	FT RC10R5 Kit	1
8021	FT RC10R5-OVAL Kit	1
9034	RC10B4 Buggy Kit	1
9035	FT RC10B4 Buggy Kit	1
9038	RC10B4 RTR 2.4GHz Brushed (ready-to-run)	1
9039	RC10B4 RTR 2.4GHz Brushless (ready-to-run)	1
9060	FT B44 4WD Buggy Kit	1
20515	MGT 3.0 Nitro Monster Truck RTR (ready-to-run)	1
30104	FT TC5F Foam Tire Edition 4WD Touring Car Kit	1
30105	FT TC5R Rubber Tire Edition 4WD Touring Car Kit	1
30111	TC4 4WD Touring Car RTR (ready-to-run)	1

:: 1/8 Kits and RTR's

20503	Limited Edition MGT 4.60 Nitro RTR, with flag body (ready-to-run)	1
20504	Limited Edition MGT 8.0 Nitro RTR, with flag body (ready-to-run)	1
80901	RC8e 4WD Electric Buggy Kit	1
80902	FT RC8B Nitro Buggy Kit	1
80905	RC8RS "Race Spec" Nitro Buggy RTR (ready-to-run)	1
80911	RC8Te 4WD Electric Tuggy Kit	1
80912	RC8T Championship Edition	1
80915	RC8T-RS "Race Spec" Nitro Truggy RTR (ready-to-run)	1
80920	SC8 Short Course Race Truck, Red Bull Nitro RTR (ready-to-run)	1
80921	SC8 Short Course Race Truck, Lucas Oil Nitro RTR (ready-to-run)	1
80922	SC8 Short Course Race Truck, KMC Wheels Nitro RTR (ready-to-run)	1
80923	SC8 Short Course Race Truck, Bully Dog Nitro RTR (ready-to-run)	1
80924	SC8 Short Course Race Truck, AE Team Nitro RTR (ready-to-run)	1
80925	SC8 Short Course Race Truck, Pro Comp Nitro RTR (ready-to-run)	1
80931	SC8e 4WD Electric Short Course Race Truck, Kit	1

:: Tools

1111	FT Turnbuckle Wrench	1
1449	Offroad Ride Height Gauge	1
1450	FT Ride Height Gauge	1
1541	FT Hex Driver Set (7 pcs)	Set
1542	FT .050" Silver Hex Driver	1
1543	FT 1/16" Black Hex Driver	1
1544	FT 1.5mm Purple Hex Driver	1
1545	FT 5/64" Blue Hex Driver	1
1546	FT 3/32" Gold Hex Driver	1
1547	FT 2.5mm Green Hex Driver	1
1548	FT 3mm Red Hex Driver	1
1551	FT Screwdriver Set	1
1553	FT Phillips Silver Screwdriver	1
1554	FT Silver Spring Hook Tool	1
1561	Full Set of 6 FT Nut Drivers	Set
1562	FT 3/16" Black Nut Driver	1
1563	FT 1/4" Red Nut Driver	1
1564	FT 5.5mm Red Nut Driver	1
1565	FT 11/32" Green Nut Driver	1
1566	FT 7.7mm Silver Nut Driver	1
1567	FT 8mm Gold Nut Driver	1
1589	FT 5/64" Blue Ball Hex Driver	1
1590	FT 3/32" Gold Ball Hex Driver	1
1592	Full Set of 3 Ball Hex Drivers	Set
1719	FT Camber + Track Width Tool	1
1737	FT Body Scissors	1
3718	12 Inch Nylon Wire Ties	12
3719	6 Inch Nylon Wire Ties	12
3720	8 Inch Nylon Wire Ties	12
3987	FT Droop Gauge	1
6429	Shock Building Tool	1
6956	Molded Tools	Set
7709	4 Inch Nylon Wire Ties	12



Check out www.TeamAssociated.com - www.RC10.com for the latest kits, RTRs, and option parts for your SC18 and other Associated vehicles!

:: Apparel

SP35**	Reedy 09' White T-Shirt (M, L, XL, XXL, XXXL)	1
SP36**	Reedy 09' Black T-Shirt (M, L, XL, XXL, XXXL)	1
SP58**	AE Logo Black T-Shirt (M, L, XL, XXL)	1
SP59**	AE Logo Blue T-Shirt (M, L, XL, XXL)	1
SP60**	AE Hooded Sweatshirt (S, M, L, XL, XXL)	1
SP102	1/10 Inner and Outer Boxes Only	Set
SP103	1/10 Inner Boxes Only	Pr.
SP410**	AE Hats Black (S-M, L-XL, XXL-XXXL)	1
SP416	1/10 Car Carrier Bag Only	1
SP417	1/10 FT Motor Bag	1
SP418	1/10 FT Car Carrier Bag with Boxes	Set
SP420**	AE Pit Gloves (M, L, XL)	Pr.
715	Reedy 2009 Track Banner	1
110684	Team Associated Track Banner	1

** Use part number plus the desired size when ordering!

:: Gearing / Maintenance

Motor Gearing:

Proper motor gearing will result in maximum performance and run time while reducing the chance of overheating and premature motor failure. The gear ratio chart lists recommended **starting** gear ratios "only" for the most widely used motor types. Gear ratios will vary depending upon track conditions, driving style, and personal preference. Generally, you should not increase the pinion gear size more than one tooth greater than the starting size.

RC18B2 - RC18T2 Gear Ratio Chart

Part#	Model	Battery	Pinion	Spur	Final Drive Ratio	Rollout (mm)
910	5000kV	7.2V - 7.4V	12	60	10.00	18.22
911	5500kV	7.2V - 7.4V	12	60	10.00	18.22
912	6100kV	7.2V - 7.4V	11	60	10.90	16.72
913	7000kV	7.2V - 7.4V	10	60	12.00	15.18
914	8000kV	7.2V - 7.4V	10	60	12.00	15.18
915	9500kV	7.2V - 7.4V	10	60	12.00	15.18
21210	Super 370	7.2V - 7.4V	11	60	10.90	16.72
290	SP 19	7.2V - 7.4V	11	60	10.90	16.72
292	Mini-Mod 19	7.2V - 7.4V	10	60	12.00	15.18

Formulas:

Internal Ratio = 2.0:1

$$\text{Final Drive Ratio} = \frac{\text{Spur} \times \text{Internal Ratio}}{\text{Pinion}}$$

RC18B2/T2 Tire Diameter (mm) = 58mm

$$\text{Rollout (mm)} = \frac{3.14 \times \text{Tire Diameter (mm)}}{\text{Final Drive Ratio}}$$

Warning: The use of motors over 5000kV and and/or batteries over 7.4V may require the installation of Factory Team ball diff kits (front and rear) and a Factory Team Slipper Shaft Assembly. These parts are race tested for strength and durability and are capable of handling the power output of high kV brushless motors and 11.1V LiPo batteries.

Set The Gear Mesh

You should be able to rock the spur gear back and forth in the teeth of the pinion gear without making the pinion gear move. If the spur gear mesh is tight, then loosen the screws and move the motor away, then try again. A gear mesh that is too tight or too loose will reduce power and damage the gear teeth.

MAINTENANCE

Check For Fit

Periodically check all moving suspension parts. Suspension components must be kept clean and move freely without binding to prevent poor and/or inconsistent handling.

Brushed Motor Maintenance - Closed Endbell (Kit motor)

Brush off any dirt and debris from motor. Oil the bushings.

Brushed Motor Maintenance - Open Endbell

Brushed motors require frequent maintenance to keep performance levels at their maximum. Between runs and after letting the motor cool completely, inspect the brushes to ensure that they are moving freely in their holders. Remove the springs and slide the brushes in and out of their holders checking for any resistance or rough spots. If found, remove the brush and carefully wipe it clean. Removing buildup will allow the brush to slide freely and create maximum contact with the commutator resulting in maximum power output.

After every 3-5 runs, remove the brushes from their holders and inspect the tips for wear or burning. If there is noticeable wear (less than 75% of the brush remaining), replace the brush with a new pair. If the tips become a burned blue color, the lubricant in the brush has been burned away and new brushes should be installed.

Occasionally, the motor should be cleaned with a soft brush to prevent dirt build up around the brush hood area and ball bearings. At this time, it is a good idea to add one drop of bushing/bearing oil to each bushing or ball bearing.

Brushless Motor Maintenance

If using a brushless motor, please refer to the motor manufacturer's guidelines for proper maintenance.

RC18B2

For more setups and setup sheets, click here:
www.RC10.com • www.TeamAssociated.com

Driver: Team Associated Date: _____
 Track: _____ Indoor Outdoor
 Event: _____
 Conditions: _____
 Additional Comments: _____

Front Suspension

Front Tower:
 Plastic
 Aluminum



Shock Tower Mount Location

Arm Mount Location

Front Arm:
 Plastic Aluminum



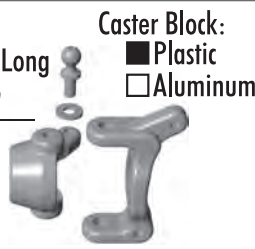
Notes: _____

Upright

Ballstud: Short Long

Ballstud Washers: 0

Steering Block:
 Plastic
 Aluminum



Caster Block:

Plastic
 Aluminum

Shocks



Piston: std Oil: 30 wt

Spring: blue Limiters: 0

Ride Height: _____ mm

Shock Body: Plastic Threaded Aluminum

Anti-Roll Bar

0.75mm

1.0mm

Alignment

Camber: _____°

Inner Camber Shims: _____

Toe: _____°

Differential

Gear Diff

Ball Diff Setting: _____

Drivebones

Plastic Dogbones

Aluminum Dogbones

MIP CVD's

Rear Suspension

Rear Tower:
 Plastic
 Aluminum



Shock Tower Mount Location

Arm Mount Location

Rear Arm:
 Plastic Aluminum



Notes: _____

Upright

Hub Carrier:
 Plastic
 Aluminum



Anti-Squat

Standard - 0°



Optional - 3.5°

Shocks



Piston: std Oil: 30 wt

Spring: silver Limiters: 0

Ride Height: _____ mm

Shock Body: Plastic Threaded Aluminum

Anti-Roll Bar

0.75mm

1.0mm

Alignment

Camber: _____°

Inner Camber Shims: _____

Toe: _____°

Differential

Gear Diff

Ball Diff Setting: _____

Drivebones

Plastic Dogbones

Aluminum Dogbones

MIP CVD's

Body & Wing

Body: _____ Wing: _____

Notes: _____

Tires

Front	Rear
Type: _____	Type: _____
Insert: _____	Insert: _____
Wheel: _____	Wheel: _____

Traction Compound: _____

Notes: _____

Electronics

Motor: _____ Gear: _____ t/ _____ t
 Motor Brush: _____ Motor Spring: _____
 Motor Timing: _____

Battery: _____ Position: Fwd Back

ESC: _____ Mode: _____

Drag Brake: _____ Initial Brake: _____

Race Comments

Main: _____ Qualifying Position: _____ Finish: _____

Notes: _____

Car Comments

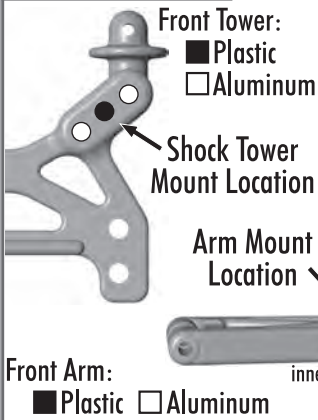
Notes: _____

RC18T2

Driver: Team Associated Date: _____
Track: _____ Indoor Outdoor
Event: _____
Conditions: _____
Additional Comments: _____

For more setups and setup sheets, click here:
www.RC10.com • www.TeamAssociated.com

Front Suspension



Upright

Ballstud: Short Long
Ballstud Washers: 0
Steering Block: Plastic Aluminum

Caster Block:

Plastic Aluminum

Shocks



Piston: std Oil: 30 wt
Spring: blue Limiters: 0
Ride Height: _____ mm
Shock Body: Plastic Threaded Aluminum

Anti-Roll Bar

0.75mm
 1.0mm

Alignment

Camber: _____°
Inner Camber Shims: _____
Toe: _____°

Differential

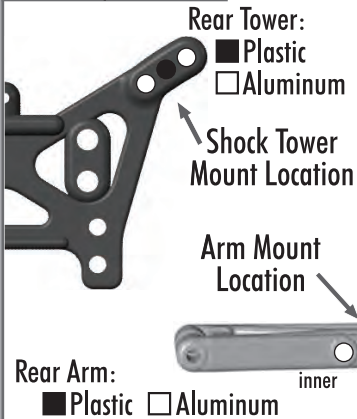
Gear Diff
 Ball Diff Setting: _____

Drivebones

Plastic Dogbones
 Aluminum Dogbones
 MIP CVD's

Notes: _____

Rear Suspension



Upright

Hub Carrier: Plastic Aluminum

Anti-Squat

Standard - 0°
 Optional - 3.5°

Shocks



Piston: std Oil: 30 wt
Spring: silver Limiters: 0
Ride Height: _____ mm
Shock Body: Plastic Threaded Aluminum

Anti-Roll Bar

0.75mm
 1.0mm

Alignment

Camber: _____°
Inner Camber Shims: _____
Toe: _____°

Differential

Gear Diff
 Ball Diff Setting: _____

Drivebones

Plastic Dogbones
 Aluminum Dogbones
 MIP CVD's

Notes: _____

Body & Wing

Body: _____ Wing: _____
Notes: _____

Tires

Front	Rear
Type: _____	Type: _____
Insert: _____	Insert: _____
Wheel: _____	Wheel: _____
Traction Compound: _____	
Notes: _____	

Electronics

Motor: _____ Gear: _____ t/ _____ t
Motor Brush: _____ Motor Spring: _____
Motor Timing: _____
Battery: _____ Position: Fwd Back
ESC: _____ Mode: _____
Drag Brake: _____ Initial Brake: _____

Race Comments

Main: _____ Qualifying Position: _____ Finish: _____
Notes: _____

Car Comments

Notes: _____

:: Hardware - 1:1

button head (bhps)

	M2x3mm (21130)
	M2x9mm (21132)
	M2x12mm (21336)
	M2.5x3mm (21131)
	M2.5x6mm (21133)
	M2.5x9mm (21134)
	M3x5mm (21129)
	M3x8mm (25180)

locknut

	M3 locknut (25215)
--	--------------------

flat head (fhps)

	M2x6mm (21334)
	M2x8mm (25196)
	M2x12mm (21135)
	M2.5x6mm (21333)
	M3x16mm (25204)

shims

	M2.6x6mm (21139)
	.324x.409x.005 (21141)

setscrews

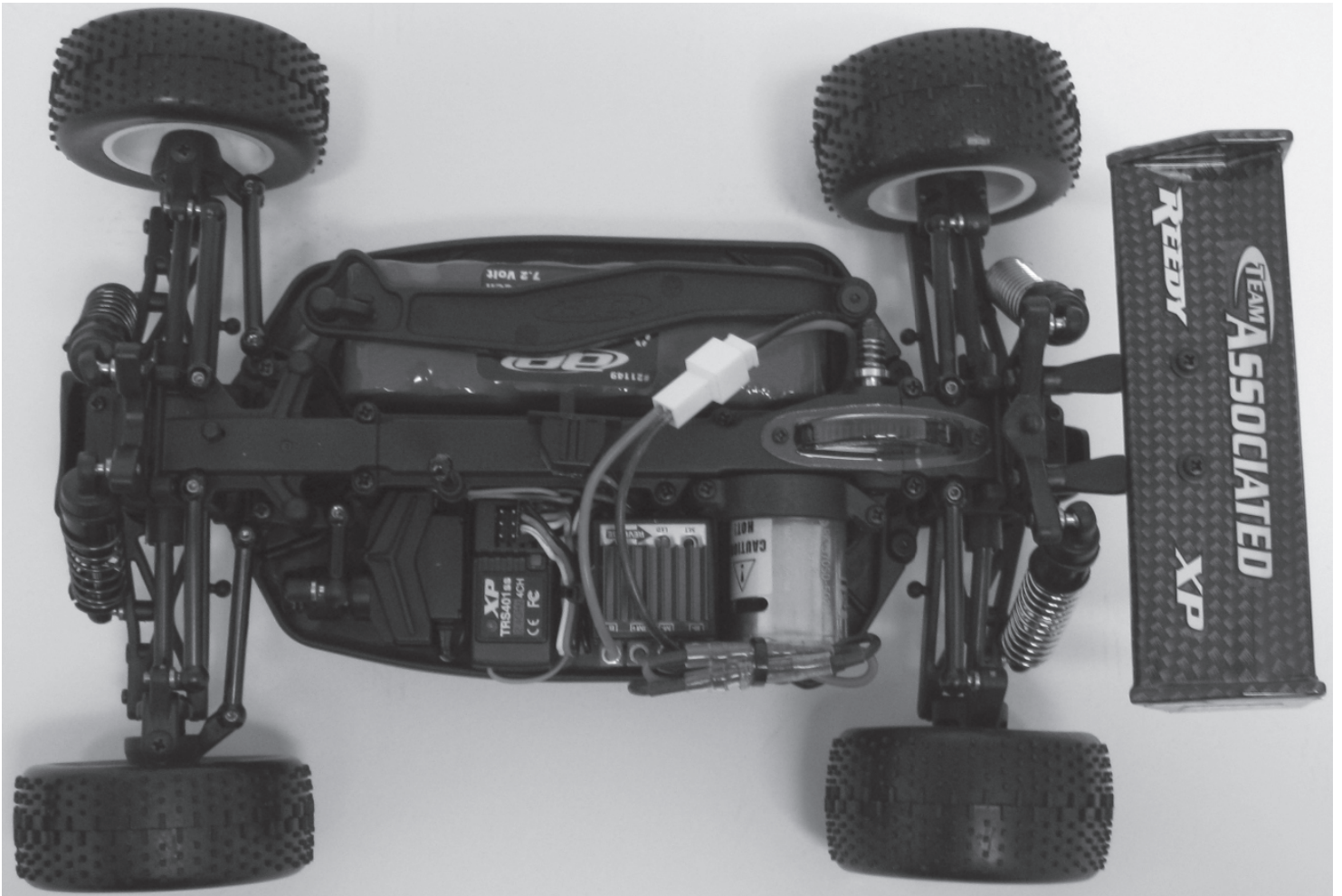
	M3x2.5mm (31500)
	M3x16mm (4689)

ballstuds

	5mm (21082)
	FT Blue 5mm (21241)
	8mm (21082)
	FT Blue 8mm (21241)

ball bearings

	3x6x2.5mm (21337)
	4x8x3mm (21105)
	8x12x3.5mm (21106)



RC18B2

For more setups and setup sheets, click here:
www.RC10.com • www.TeamAssociated.com

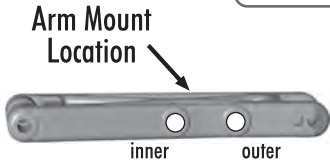
Driver: _____ Date: _____
Track: _____ Indoor Outdoor
Event: _____
Conditions: _____
Additional Comments: _____

Front Suspension

Front Tower:
 Plastic
 Aluminum



Front Arm:
 Plastic Aluminum



Notes: _____

Upright

Ballstud: Short Long

Ballstud Washers: _____

Steering Block:

Plastic
 Aluminum

Caster Block:
 Plastic
 Aluminum



Anti-Roll Bar

0.75mm

1.0mm

Alignment

Camber: _____°

Inner Camber Shims: _____

Toe: _____°

Shocks



Piston: _____ Oil: _____ wt

Spring: _____ Limiters: _____

Ride Height: _____ mm

Shock Body: Plastic Threaded Aluminum

Differential

Gear Diff

Ball Diff Setting: _____

Drivebones

Plastic Dogbones

Aluminum Dogbones

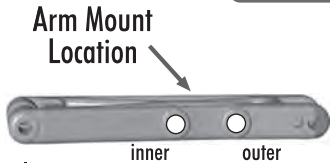
MIP CVD's

Rear Suspension

Rear Tower:
 Plastic
 Aluminum



Rear Arm:
 Plastic Aluminum



Notes: _____

Upright

Hub Carrier:

Plastic
 Aluminum



Anti-Squat

Standard - 0°



Optional - 3.5°



Shocks



Piston: _____ Oil: _____ wt

Spring: _____ Limiters: _____

Ride Height: _____ mm

Shock Body: Plastic Threaded Aluminum

Differential

Gear Diff

Ball Diff Setting: _____

Drivebones

Plastic Dogbones

Aluminum Dogbones

MIP CVD's

Body & Wing

Body: _____ Wing: _____

Notes: _____

Tires

Front

Type: _____

Insert: _____

Wheel: _____

Traction Compound: _____

Notes: _____

Rear

Type: _____

Insert: _____

Wheel: _____

Electronics

Motor: _____ Gear: _____ t/ _____ t

Motor Brush: _____ Motor Spring: _____

Motor Timing: _____

Battery: _____ Position: Fwd Back

ESC: _____ Mode: _____

Drag Brake: _____ Initial Brake: _____

Race Comments

Main: _____ Qualifying Position: _____ Finish: _____

Notes: _____

Car Comments

Notes: _____

RC18T2

Driver: _____
 Track: _____
 Event: _____
 Conditions: _____
 Additional Comments: _____

Date: _____
 Indoor Outdoor

For more setups and setup sheets, click here:
www.RC10.com • www.TeamAssociated.com

Front Suspension

Front Tower:
 Plastic
 Aluminum

Shock Tower Mount Location

Arm Mount Location

Front Arm:
 Plastic Aluminum

Upright

Ballstud: Short Long
 Ballstud Washers: _____
 Steering Block:
 Plastic
 Aluminum

Caster Block:

Plastic
 Aluminum



Shocks



Piston: _____ Oil: _____ wt
 Spring: _____ Limiters: _____
 Ride Height: _____ mm
 Shock Body: Plastic Threaded Aluminum

Anti-Roll Bar

0.75mm
 1.0mm

Alignment

Camber: _____°
 Inner Camber Shims: _____
 Toe: _____°

Differential

Gear Diff
 Ball Diff Setting: _____

Drivebones

Plastic Dogbones
 Aluminum Dogbones
 MIP CVD's

Notes: _____

Rear Suspension

Rear Tower:
 Plastic
 Aluminum

Shock Tower Mount Location

Arm Mount Location

Rear Arm:
 Plastic Aluminum

Upright

Hub Carrier:
 Plastic
 Aluminum



Anti-Squat

Standard - 0°
 Optional - 3.5°

Shocks



Piston: _____ Oil: _____ wt
 Spring: _____ Limiters: _____
 Ride Height: _____ mm
 Shock Body: Plastic Threaded Aluminum

Anti-Roll Bar

0.75mm
 1.0mm

Alignment

Camber: _____°
 Inner Camber Shims: _____
 Toe: _____°

Differential

Gear Diff
 Ball Diff Setting: _____

Drivebones

Plastic Dogbones
 Aluminum Dogbones
 MIP CVD's

Notes: _____

Body & Wing

Body: _____ Wing: _____
 Notes: _____

Tires

Front	Rear
Type: _____	Type: _____
Insert: _____	Insert: _____
Wheel: _____	Wheel: _____
Traction Compound: _____	
Notes: _____	

Electronics

Motor: _____ Gear: _____ t/ _____ t
 Motor Brush: _____ Motor Spring: _____
 Motor Timing: _____
 Battery: _____ Position: Fwd Back
 ESC: _____ Mode: _____
 Drag Brake: _____ Initial Brake: _____

Race Comments

Main: _____ Qualifying Position: _____ Finish: _____
 Notes: _____

Car Comments

Notes: _____

