

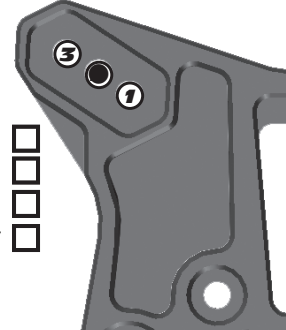
Front Suspension

Steering System:

Swing Rack **Anti Roll Bar:**
Bellcrank Rack
2.2mm Green
2.3mm White
2.4mm Blue
2.5mm Yellow
Bumpsteer
Washers: Standard _____

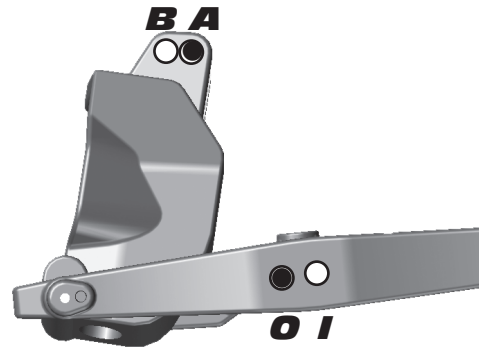
Camber: _____ -1

Caster: _____ 16

Toe: _____ -2

Upper Hinge Pin Bushing
Front # _____ 1

Up **Down**
Rear # _____ 2

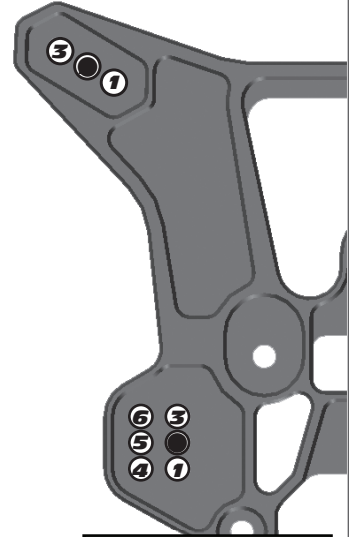
Up **Down**
B-Plate Type
Low **Original**
Kickup Bushing A-Plate
_____ 2

Up **Down**

Ride Height: _____ 28 mm

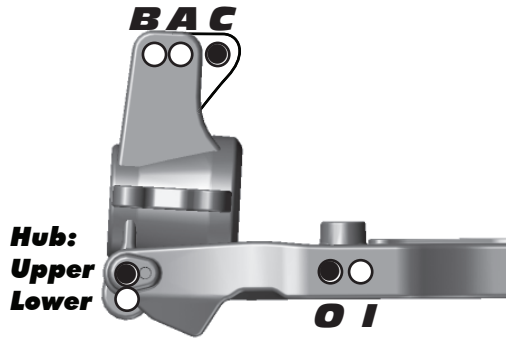
Rear Suspension

RESET

Wheelbase:

Long
Medium
Short
Anti Roll Bar:
2.5mm Green
2.6mm White
2.7mm Blue
2.8mm Yellow
Camber: _____ -1

Toe Bushing D-Plate
_____ 1

In **Out**
Squat Bushing C-Plate
_____ 2

Up **Down**

Hub:
Upper
Lower
Ride Height: _____ 29 mm

Front Shocks

Spring: Associated Silver
Shock Fluid: Associated 32.5
Piston: 8 x 1.3 Tapered
Shock Cap: Bladder
Length: 105 mm
Rebound: None

Rear Shocks

Spring: Associated Silver
Shock Fluid: Associated 27.5
Piston: 8 x 1.3 Tapered
Shock Cap: Bladder
Length: 123 mm
Rebound: None

Chassis Braces / Wheel Hex

Chassis Braces:
Pivot
Molded
Aluminum
Wheel Hex:
Standard
Narrow

Chassis Weight

Weight: 3350g

Rear Hubs

Rear Hubs:
Standard
CNC FT Alum.

Differentials

Front Diff Fluid: 5000
Center Diff Fluid: 5000
Rear Diff Fluid: 5000

Body / Wing

Body Type: JConcepts Punisher
Wing Type: JConcepts Illuzion
Gap to Tower (MM): 25 mm

Gearing / Clutch

Spur Gear: 44
Clutch Bell: 16
Clutch Shoes: 3 x Hard Aluminum
Clutch Spring: 2 x 1.0 + 1 x 1.1

Engine

Engine: LRP ZZ.21C
Restrictor: 6 mm **Temp:** 250
Muffler: Reedy 2035
Glow Plug: P3 **Fuel:** Sidewinder Strike 30%

Tires

Tire (F/R): JConcepts Crossbow / JConcepts Crossbow
Compound (F/R): Blue / Blue
Inserts (F/R): Hot Bodies Red Molded / Hot Bodies Red Molded
Wheel (F/R): Associated 83 mm / Associated 83 mm
Notes:

Radio / Servos

Radio: Airtronics M11x **Brake Bias:** 50/50
Throttle / Steering Servo: Airtronics 94931 / Airtronics 94931
Throttle / Brake expo: -20% / -20%
Steering expo: -10%
Dual Rate: 95%

Race and Vehicle Comments

Qualify: 3 **Main:** A **Finish:** 2 **TQ:** _____
Comments: Custom bent 2.6 mm front sway bar

Track Info

Traction: **High** **Medium** **Low**
Surface: **Smooth** **Bumpy** **Blue Groove**
Soft Dirt **Grass** **Clay** **Wet**
Astroturf **Dusty** **Other:** Watered for 60 minute final