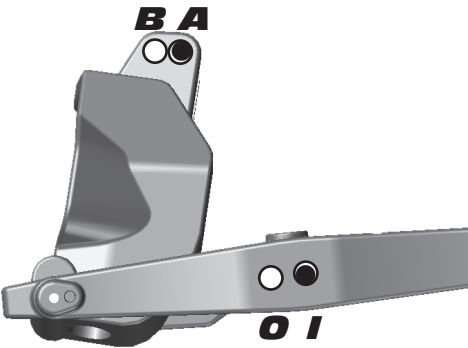
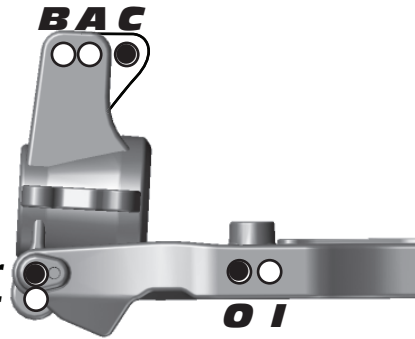


Front Suspension
Steering System:
Swing Rack **Anti Roll Bar:**
Bellcrank Rack
2.2mm Green
2.3mm White
2.4mm Blue
2.5mm Yellow
Bumpsteer
Washers: Tall Ballstud _____

Camber: _____ -2

Caster: _____ 16

Toe: _____ 0

Upper Hinge Pin Bushing
Front # _____ 2
Up **Down**
Rear # _____ 3
Up **Down**
B-Plate Type
Low **Original**
Kickup Bushing A-Plate
_____ 2
Up **Down**
Ride Height: _____ 29 mm

Rear Suspension
RESET
Wheelbase:
Long
Medium
Short
Anti Roll Bar:
2.5mm Green
2.6mm White
2.7mm Blue
2.8mm Yellow
Camber: _____ -2

Hub:
Upper _____
Lower _____

Ride Height: _____ 30 mm

Toe Bushing D-Plate
_____ 1
In **Out**
Squat Bushing C-Plate
_____ 2
Up **Down**
Front Shocks
Spring: _____ Silver
Shock Fluid: _____ 37.5 Associated
Piston: _____ 1.3mm x 8
Shock Cap: _____ Bladder
Length: _____ 102.5 mm
Rebound: _____ 3 mm

Rear Shocks
Spring: _____ Silver
Shock Fluid: _____ 27.5 Associated
Piston: _____ 1.3mm x 8
Shock Cap: _____ Bladder
Length: _____ 123 mm
Rebound: _____ 3 mm

Chassis Braces / Wheel Hex
Chassis Braces:
Pivot
Molded
Aluminum
Wheel Hex:
Standard
Narrow
Chassis Weight
Weight: _____ 3320g

Rear Hubs
Rear Hubs:
Standard
CNC FT Alum.
Differentials
Front Diff Fluid: _____ 5000
Center Diff Fluid: _____ 7000
Rear Diff Fluid: _____ 5000

Body / Wing
Body Type: _____ JConcepts Punisher RC8.2
Wing Type: _____ JConcepts Illuzion
Gap to Tower (MM): _____ 28 mm

Gearing / Clutch
Spur Gear: _____ 44
Clutch Bell: _____ 16
Clutch Shoes: _____ 3 Aluminum Hard Shoes
Clutch Spring: _____ 3 x 1.0

Engine
Engine: _____ LRP ZZ.21C
Restrictor: _____ 6 mm **Temp:** _____ 235
Muffler: _____ Reedy 2035
Glow Plug: _____ LRP3 **Fuel:** _____ Sidewinder 30%

Tires
Tire (F/R): _____ JConcepts Hybrids / JConcepts Hybrids
Compound (F/R): _____ Green / Green
Inserts (F/R): _____ AKA Red / AKA Red
Wheel (F/R): _____ Associated 83 mm / Associated 83 mm
Notes: _____

Radio / Servos
Radio: _____ Airtronics M11x **Brake Bias:** _____ 50% / 50%
Throttle / Steering Servo: _____ Airtronics 94931 / Airtronics 94931
Throttle / Brake expo: _____ -20% / 0%
Steering expo: _____ 0%
Dual Rate: _____ 100%

Race and Vehicle Comments
Qualify: _____ 1 **Main:** _____ A **Finish:** _____ 1 **TQ:**
Comments: _____

Track Info
Traction: **High** **Medium** **Low**
Surface: **Smooth** **Bumpy** **Blue Groove**
Soft Dirt **Grass** **Clay** **Wet**
Astroturf **Dusty** **Other:** _____