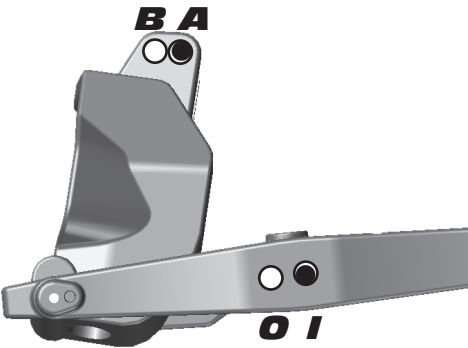
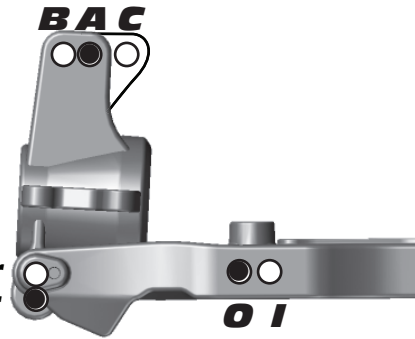


**Front Suspension**
**Steering System:**
**Swing Rack**  **Anti Roll Bar:**  
**Bellcrank Rack** 
**2.2mm Green**   
**2.3mm White**   
**2.4mm Blue**   
**2.5mm Yellow** 
**Bumpsteer**
**Washers:** 2.5 mm

**Camber:** -2

**Caster:** 16

**Toe:** -1/2

**Upper Hinge Pin Bushing**  
**Front #** 3  
**Up**  **Down**   
**Rear #** 2  
**Up**  **Down** 
**B-Plate Type**  
**Low**  **Original** 
**Kickup Bushing A-Plate**  
**#** 1  
**Up**  **Down** 
**Ride Height:** 29 mm

**Rear Suspension**
**RESET**
**Wheelbase:**
**Long**   
**Medium**   
**Short** 
**Anti Roll Bar:**
**2.5mm Green**   
**2.6mm White**   
**2.7mm Blue**   
**2.8mm Yellow** 
**Camber:** -2

**Hub:**  
**Upper**  **Lower**   
**Ride Height:** 29 mm

**Toe Bushing D-Plate**  
**#** 1  
**In**  **Out** 
**Squat Bushing C-Plate**  
**#** 1  
**Up**  **Down** 
**Front Shocks**
**Spring:** Kyo Orange **Shock Cap:** Standard  
**Shock Fluid:** 500 cSt **Length:** 100 mm  
**Piston:** 10 x 1.1 mm **Rebound:** 0

**Rear Shocks**
**Spring:** Kyo Orange **Shock Cap:** Standard  
**Shock Fluid:** 400 cSt **Length:** 119 mm  
**Piston:** 5 x 1.1 + 5 x 1.2 **Rebound:** 0

**Chassis Braces / Wheel Hex**
**Chassis Braces:** **Wheel Hex:**  
**Pivot**  **Standard**   
**Molded**  **Narrow**   
**Aluminum** 
**Chassis Weight**
**Weight:** \_\_\_\_\_  
 \_\_\_\_\_  
 \_\_\_\_\_

**Rear Hubs**
**Rear Hubs:**  
**Standard**   
**CNC FT Alum.** 
**Differentials**
**Front Diff Fluid:** 7000  
**Center Diff Fluid:** 4000  
**Rear Diff Fluid:** 3000

**Body / Wing**
**Body Type:** Pro-Line Bull Dog  
**Wing Type:** MP9  
**Gap to Tower (MM):** 30 mm

**Gearing / Clutch**
**Spur Gear:** 46  
**Clutch Bell:** 17  
**Clutch Shoes:** 3 x Hard Aluminum  
**Clutch Spring:** 3 x Ultimate 0.95 mm

**Engine**
**Engine:** Nvision 321T  
**Restrictor:** 6.5 mm **Temp:** \_\_\_\_\_  
**Muffler:** NV 2058  
**Glow Plug:** Turbo 5 **Fuel:** Mecca

**Tires**
**Tire (F/R):** Hot Dice / Hot Dice  
**Compound (F/R):** Xtreme Soft / Xtreme Soft  
**Inserts (F/R):** Jaunes / Jaunes  
**Wheel (F/R):** Associated 83 mm / Associated 83 mm  
**Notes:** \_\_\_\_\_

**Radio / Servos**
**Radio:** Spektrum **Brake Bias:** 50/50  
**Throttle / Steering Servo:** KO / KO  
**Throttle / Brake expo:** 0% / 0%  
**Steering expo:** -10%  
**Dual Rate:** 100%

**Race and Vehicle Comments**
**Qualify:** \_\_\_\_\_ **Main:** \_\_\_\_\_ **Finish:** \_\_\_\_\_ **TQ:** \_\_\_\_\_  
**Comments:** \_\_\_\_\_  
 \_\_\_\_\_  
 \_\_\_\_\_

**Track Info**
**Traction:** **High**  **Medium**  **Low**   
**Surface:** **Smooth**  **Bumpy**  **Blue Groove**   
**Soft Dirt**  **Grass**  **Clay**  **Wet**   
**Astroturf**  **Dusty**  **Other:** \_\_\_\_\_