

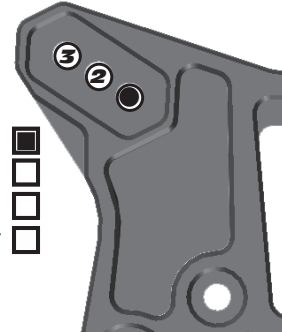
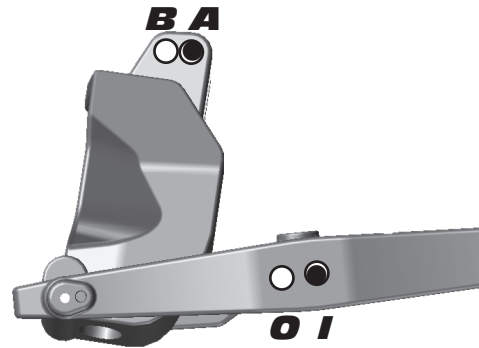
**Front Suspension**
**Steering System:**

- Swing Rack**  **Anti Roll Bar:**  
**Bellcrank Rack**   
 2.2mm Green   
 2.3mm White   
 2.4mm Blue   
 2.5mm Yellow

**Bumpsteer Washers:** Kit Stud

**Camber:** -2

**Caster:** 16

**Toe:** 0


**Upper Hinge Pin Bushing**

Front # 1  
 Up  Down

Rear # 2  
 Up  Down

**B-Plate Type**

Low  Original

**Kickup Bushing A-Plate**

# 1  
 Up  Down

**Ride Height:** 28mm

**Rear Suspension**

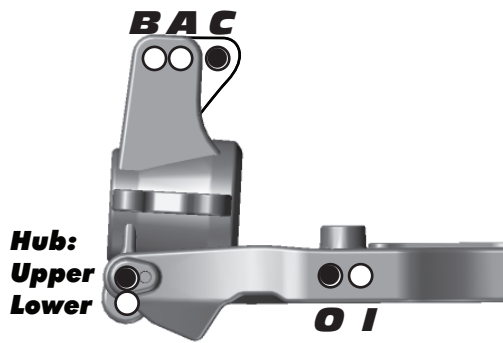
RESET

**Wheelbase:**

- Long**   
**Medium**   
**Short**

**Anti Roll Bar:**

- 2.5mm Green   
 2.6mm White   
 2.7mm Blue   
 2.8mm Yellow

**Camber:** -1


**Toe Bushing D-Plate**

# 2  
 In  Out

**Squat Bushing C-Plate**

# 2  
 Up  Down

**Hub: Upper Lower**  
**Ride Height:** 29mm

**Front Shocks**

**Spring:** KYO Blue **Shock Cap:** Bladder  
**Shock Fluid:** AE 25/27.5 **Length:** 100mm  
**Piston:** 10x1.1 (89456) **Rebound:** 1/2

**Rear Shocks**

**Spring:** KYO Blue **Shock Cap:** Bladder  
**Shock Fluid:** AE 20/22.5 **Length:** 120.5mm  
**Piston:** 10x1.1 (89456) **Rebound:** 1/2

**Chassis Braces / Wheel Hex**

**Chassis Braces:** **Wheel Hex:**  
**Pivot**  **Standard**   
**Molded**  **Narrow**   
**Aluminum**

**Chassis Weight**

**Weight:** \_\_\_\_\_

**Rear Hubs**

**Rear Hubs:**  
**Standard**   
**CNC FT Alum.**

**Differentials**

**Front Diff Fluid:** 5  
**Center Diff Fluid:** 5  
**Rear Diff Fluid:** 5

**Body / Wing**

**Body Type:** Punisher  
**Wing Type:** JC 0120 Punisher (new)  
 Solid side dams, same as kit wing  
**Gap to Tower (MM):** \_\_\_\_\_

**Gearing / Clutch**

**Spur Gear:** 44  
**Clutch Bell:** 17  
**Clutch Shoes:** 89146  
**Clutch Spring:** 3x1.0

**Engine**

**Engine:** Reedy #800  
**Restrictor:** 7.5mm **Temp:** ?  
**Muffler:** AE 2035  
**Glow Plug:** 77t **Fuel:** Stryke

**Tires**

**Tire (F/R):** JC / JC  
**Compound (F/R):** Green / Green  
**Inserts (F/R):** Stock / Stock  
**Wheel (F/R):** AE / AE  
**Notes:** Different tires throughout day for condition, all green

**Radio / Servos**

**Radio:** \_\_\_\_\_ **Brake Bias:** 50/50  
**Throttle / Steering Servo:** XP 1015 / XP1015  
**Throttle / Brake expo:** -15% / 0  
**Steering expo:** 0  
**Dual Rate:** 100%

**Race and Vehicle Comments**

**Qualify:** 2 **Main:** A **Finish:** 1 **TQ:** \_\_\_\_\_  
**Comments:** Ran lighter oil in AM and night in colder temps  
 -went up 2.5 wt for warmer PM. 45 deg./70 deg. swing in temp  
 -ran mid level B plate, lowered 1.5mm from orig. B plate  
 -17T clutch bell for large track and decreased wheel spin

**Track Info**

**Traction:** High  Medium  Low   
**Surface:** Smooth  Bumpy  Blue Groove   
**Soft Dirt**  Grass  Clay  Wet   
**Astroturf**  Dusty  **Other:** Rythem jumps, need car to settle quickly for next jump. Moist slick groove at night.