

Front Suspension

Anti Roll Bar:
Steering System:

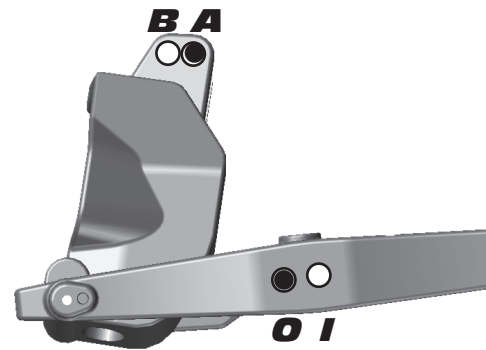
- 2.2mm Green
- 2.3mm White
- 2.4mm Blue
- 2.5mm Yellow

- Bellcrank
- Steering Rack:


Bumpsteer
Washers: Tall Ballstuds _____

Camber: _____ -1

Caster: _____ 16

Toe: _____ 0


Upper Hinge Pin Bushing

Front # _____ 1

Up Down

Rear # _____ 1

Up Down

B-Plate Type

Low Original

Kickup Bushing A-Plate

_____ 1

Up Down

Ride Height: _____ 28 mm

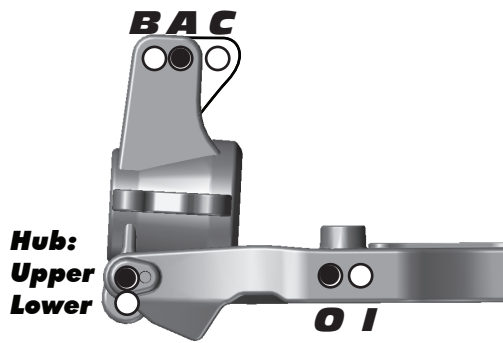
Rear Suspension

RESET
Anti Roll Bar:

- 2.5mm Green
- 2.6mm White
- 2.7mm Blue
- 2.8mm Yellow

Wheelbase:

- Long
- Medium
- Short

Camber: _____ -2


Toe Bushing D-Plate

_____ GHEA LRC 3 Down

In Out

Squat Bushing C-Plate

_____ GHEA LRC 3 Down

Up Down

Hub:
Upper _____
Lower _____

Ride Height: _____ 29 mm

Front Shocks

Spring: _____ Kyo Lt Blue **Shock Cap:** _____ Bladder

Shock Fluid: _____ 40 wt **Length:** _____ 99.5 mm

Piston: _____ 8x1.2 Tapered **Rebound:** _____ 3 mm

Rear Shocks

Spring: _____ Kyo Lt Blue **Shock Cap:** _____ Bladder

Shock Fluid: _____ 30 wt **Length:** _____ 118 mm

Piston: _____ 8x1.2 Tapered **Rebound:** _____ 3 mm

Chassis Braces / Wheel Hex

- Chassis Braces:**
- Pivot
 - Molded
 - Aluminum
- Wheel Hex:**
- Standard
 - Narrow

Chassis Weight

Weight: _____ 3350g

Rear Hubs

- Rear Hubs:**
- Standard
 - CNC FT Alum.

Differentials

Front Diff Fluid: _____ 5,000

Center Diff Fluid: _____ 7,000

Rear Diff Fluid: _____ 5,000

Notes: _____

Body / Wing

Body Type: _____ JConcepts Silencer

Wing Type: _____ JConcepts Punisher

High rotation side dams

Gap to Tower (MM): _____ 27 mm

Gearing / Clutch

Spur Gear: _____ 44

Clutch Bell: _____ 16

Clutch Shoes: _____ 3 x Hard Aluminum

Clutch Spring: _____ 2 x 1.0 + 1 x 1.1

Engine

Engine: _____ LRP .21ZZ CC

Restrictor: _____ 6 mm **Temp:** _____ 240

Muffler: _____ Novarossi 9901

Glow Plug: _____ LRP WT3 **Fuel:** _____ Strike V2 25%

Tires

Tire (F/R): _____ JConcepts Hybrids / _____ JConcepts Hybrids

Compound (F/R): _____ Blue / _____ Blue

Inserts (F/R): _____ Closed Cell / _____ Closed Cell

Wheel (F/R): _____ JConcepts Bullet / _____ JConcepts Bullet

Notes: _____

Radio / Servos

Radio: _____ Futaba 4PKS **Brake Bias:** _____ 50/50

Throttle / Steering Servo: _____ Futaba S9353HV / _____ Futaba S9353HV

Throttle / Brake expo: _____ -15% / _____ 0%

Steering expo: _____ 0%

Dual Rate: _____ 100%

Race and Vehicle Comments

Qualify: _____ 15 **Main:** _____ A **Finish:** _____ 4 **TQ:** _____

Comments: Vertical caster blocks; High wing mont; Carbon shock towers

Track Info

- Traction:** High Medium Low
- Surface:** Smooth Bumpy Blue Groove
- Soft Dirt** Grass Clay Wet
- Astroturf** Dusty Other: _____