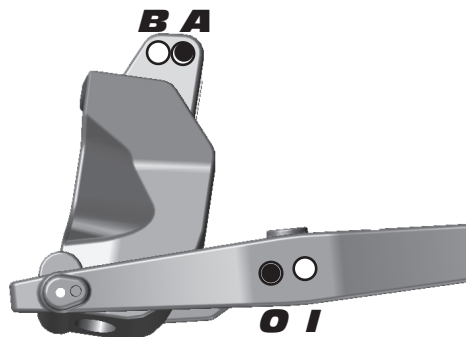
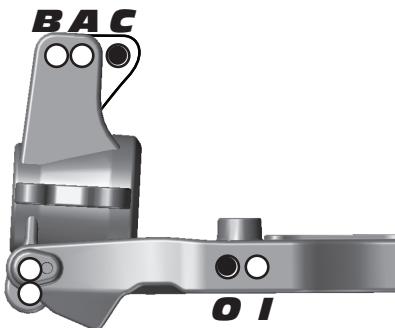


Front Suspension
Steering System:
Swing Rack **Anti Roll Bar:**
Bellcrank Rack
2.2mm Green
2.3mm White
2.4mm Blue
2.5mm Yellow
Bumpsteer
Washers: Long RC8 ball stu

Camber: _____ 2 _____

Caster: _____ 16 _____

Toe: _____ 1 out _____

Upper Hinge Pin Bushing
Front # _____ 1 _____
Up **Down**
Rear # _____ 3 _____
Up **Down**
B-Plate Type
Low **Original**
Kickup Bushing A-Plate
_____ 2 _____
Up **Down**
Ride Height: _____ 28 _____

Rear Suspension
RESET
Wheelbase:
Long
Medium
Short
Anti Roll Bar:
2.5mm Green
2.6mm White
2.7mm Blue
2.8mm Yellow
Camber: _____ 2 _____

Toe Bushing D-Plate
_____ 1 _____
In **Out**
Squat Bushing C-Plate
_____ 2 _____
Up **Down**
Hub:
Upper
Lower
Ride Height: _____ 29 _____

Front Shocks
Spring: AE silver

Shock Fluid: AE 37,5

Piston: Ghea 8 times 1,3 magic

Shock Cap: Bladder

Length: 102

Rebound: 8mm

Rear Shocks
Spring: AE silver

Shock Fluid: AE 30

Piston: Ghea 8 times 1,3 magic

Shock Cap: Bladder

Length: 118

Rebound: 8mm

Chassis Braces / Wheel Hex
Chassis Braces:
Pivot
Molded
Aluminum
Wheel Hex:
Standard
Narrow
Chassis Weight
Weight: 3400

Rear Hubs
Rear Hubs:
Standard
CNC FT Alum.
Differentials
Front Diff Fluid: AE 5K

Center Diff Fluid: AE 7K

Rear Diff Fluid: AE 5K

Body / Wing
Body Type: RC8.2

Wing Type: Mugen Flat

Gap to Tower (MM): _____ 28 _____

Gearing / Clutch
Spur Gear: 44t LW

Clutch Bell: 16t

Clutch Shoes: 3 Hard

Clutch Spring: 1,1-1,1-1,1

Engine
Engine: Novarossi

Restrictor: 6,5mm **Temp:** _____

Muffler: Novarossi

Glow Plug: _____ **Fuel:** ODonnell

Tires
Tire (F/R): AKA Crossbrace / AKA CrossBrace

Compound (F/R): Supersoft / Supersoft

Inserts (F/R): AKA RED / AKA RED

Wheel (F/R): AKA / AKA

Notes: _____

Radio / Servos
Radio: M11X **Brake Bias:** 50/50

Throttle / Steering Servo: 'XP1013 / XP1013

Throttle / Brake expo: 100 / 100

Steering expo: _____ 100 _____

Dual Rate: _____

Race and Vehicle Comments
Qualify: _____ 2 _____ **Main:** A **Finish:** _____ 2 _____ **TQ:** _____

Comments: _____

Track Info
Traction: **High** **Medium** **Low**
Surface: **Smooth** **Bumpy** **Blue Groove**
Soft Dirt **Grass** **Clay** **Wet**
Astroturf **Dusty** **Other:** _____