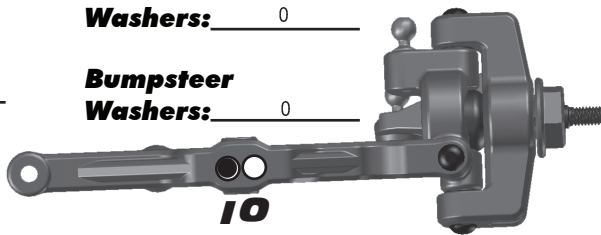


Front Suspension

Steering Stop Gap:

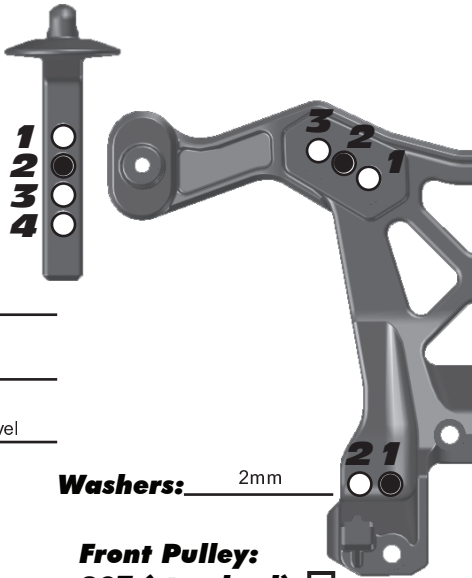
 0

Washers: _____ 0
Bumpsteer Washers: _____ 0



Anti Roll Bar:

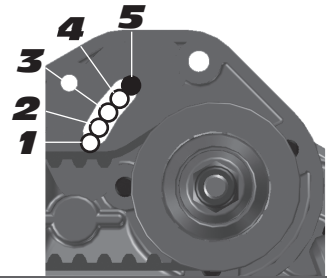
1.5mm
 1.8mm
 2.0mm
 2.2mm
 None



Camber: _____ -2

Toe: _____ 0

Ride Height: _____ arms level



Washers: _____ 2mm
Front Pulley:
 20T (standard)
 19T (overdrive)
Clicker:
Full Time 4X4:

Rear Suspension

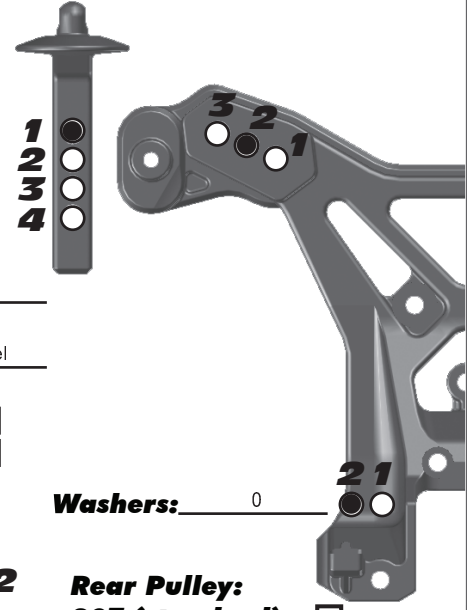
Reset Form

Wheelbase:
Long
Medium
Short



Anti Roll Bar:

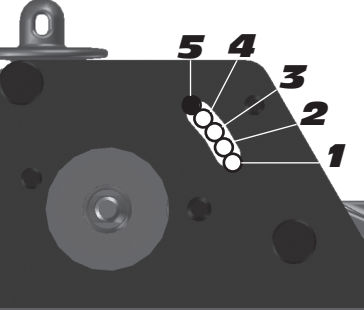
1.5mm
 1.8mm
 2.0mm
 2.2mm
 None



Camber: _____ -2

Ride Height: _____ arms level

Toe Block: 3-2
 3-3



Washers: _____ 0
Rear Pulley:
 20T (standard)
 19T (underdrive)
Slipper Pad Notes: _____

Front Shocks

Spring: _____ yellow **Piston:** _____ 1.2
Shock Fluid: _____ 30wt **Limiter:** _____
Rebound: _____ 50% **Bladder** **Emulsion**

Rear Shocks

Spring: _____ Blue **Piston:** _____ 1.2
Shock Fluid: _____ 27.5 **Limiter:** _____
Rebound: _____ 50% **Bladder** **Emulsion**

Electronics

Motor & Wind: _____ Reedy Conic 4.0
Pinion: _____ 11t
Spur Gear: _____ 62t
Batteries: _____ Reedy 5500
Battery Placement: Front Middle Back
 Other

Radio: _____
Throttle / Brake e.p.a.: _____
Throttle / Brake expo: _____
Servo: _____ **Steering Expo:** _____
ESC: _____
ESC Profile: _____ --- --- ---

Differentials

Front Diff Fluid: _____ 5000
Rear Diff Fluid: _____ 3000

Other

Body Type: _____ Proline Toyota Flotek
Body Notes: _____

Front Tires

Tire: _____ PL Hoeshot **Compound:** _____ M4
Insert: _____ stock closed cell **Wheel:** _____ pro trac renegade
Notes: _____

Rear Tires

Tire: _____ PL Hoeshot **Compound:** _____ M\$
Insert: _____ stock closed cell **Wheel:** _____ pro trac renegade
Notes: _____

Race and Vehicle Comments

Qualify: _____ **Main:** _____ **Finish:** _____ 1st **TQ:**
Comments: _____

Track Info

Smooth: **Bumpy:** **Blue Groove:**
Traction: _____ **High:** **Medium:** **Low:**
Soft Dirt: **Grass:** **Clay:** **Wet:**
Dusty: **Other:** _____