

Front Suspension

Steering Rack
Standard
Option

Washers: _____ 0

Bumpsteer
Washers: _____ 0

Option Rack

Forward
Back

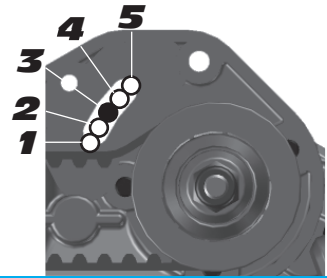
Anti Roll Bar:

1.5mm
1.8mm
2.0mm
2.2mm
None

Camber: _____ -1

Toe: _____ -1

Ride Height: _____ 24 mm



Washers: _____ 2 mm

Front Pulley:
20T (standard)
19T (overdrive)

Clicker:
Full Time 4X4:

Front Shocks

Spring: _____ Blue _____ Piston: _____ 1.2
Shock Fluid: _____ 32.5 _____ Limiter: _____ 0
Rebound: _____ 0 _____ Bladder Emulsion

Electronics

Motor & Wind: _____ Reedy Sonic 550 4.0
Pinion: _____ 11 _____ Spur Gear: _____ 62
Battery Type: Stick Saddle
Battery Placement: Front Middle Back
Other Reedy 5500 60C

Slipper / Differentials

Standard Slipper VTS Slipper
Front Diff Fluid: _____ 20.000
Rear Diff Fluid: _____ 7.000

Front Tires

Tire: _____ JConcepts Subcultures _____ Compound: _____ Green
Insert: _____ Stock _____ Wheel: _____ JConcepts Hazzard
Notes: _____

Body

Body Type: _____ JConcepts Raptor X Flow _____ Notes: _____ Back vents cut out

Race and Vehicle Comments

Qualify: _____ 1 _____ Main: _____ A _____ Finish: _____ 1 _____ TQ:
Comments: _____

Rear Suspension

Reset Form

Wheelbase:
Long
Medium
Short



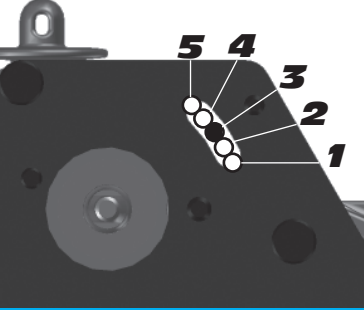
Anti Roll Bar:

1.5mm
1.8mm
2.0mm
2.2mm
None

Camber: _____ -1

Ride Height: _____ 24 mm

Toe Block: 3-2
3-3



Washers: _____ 0

Rear Pulley:
20T (standard)
19T (underdrive)

Slipper Coupled
Slipper De-Coupled

Rear Shocks

Spring: _____ Yellow _____ Piston: _____ 1.2
Shock Fluid: _____ 27.5 _____ Limiter: _____ 0
Rebound: _____ 0 _____ Bladder Emulsion

Radio: _____ Spektrum
Throttle / Brake e.p.a: _____ 100% / 70%
Throttle / Brake expo: _____ 0% / 0%
Servo: _____ Spektrum 6040 _____ Steering Expo: _____ 0%
ESC: _____ LRP SPX8 _____ ESC Software: _____ -
ESC Profile: _____ 1 _____ --- _____ 1 _____ --- _____ 2 _____ --- _____ 0

Chassis

Chassis Brace: Yes No
Chassis Weight: _____ 0

Rear Tires

Tire: _____ JConcepts Subcultures _____ Compound: _____ Green
Insert: _____ Stock _____ Wheel: _____ JConcepts Hazzard
Notes: _____

Track Info

Smooth: Bumpy: Blue Groove:
Traction: High: Medium: Low:
Soft Dirt: Grass: Clay: Wet:
Dusty: Other: _____