

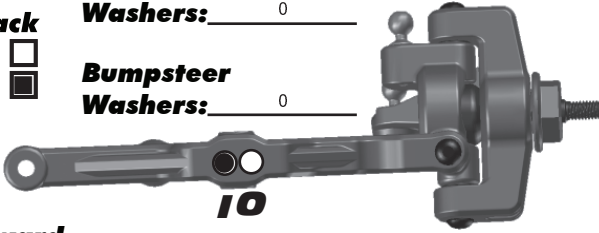
Front Suspension

Steering Rack
Standard
Option

Washers: _____ 0

Bumpsteer
Washers: _____ 0

Option Rack



Forward Back

Anti Roll Bar:

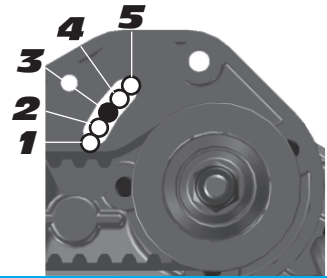
1.5mm
1.8mm
2.0mm
2.2mm
None



Camber: _____ -1*

Toe: _____ 0

Ride Height: _____ 23 mm



Washers: _____ 1 mm

Front Pulley:
20T (standard)
19T (overdrive)

Clicker:
Full Time 4X4:

Front Shocks

Spring: _____ Associated Yellow Piston: _____ 1.2
Shock Fluid: _____ Associated 32.5 Limiter: 0 (8mm Up-travel Limiting)
Rebound: _____ 0 Bladder Emulsion

Electronics

Motor & Wind: _____ Reedy 550 4.0 #968
Pinion: _____ 11 Spur Gear: _____ 62
Battery Type: Stick Saddle Reedy 7000 #309
Battery Placement: Front Middle Back
Other

Slipper / Differentials

Standard Slipper VTS Slipper 3 Pad
Front Diff Fluid: _____ 5,000
Rear Diff Fluid: _____ 5,000

Front Tires

Tire: _____ JConcepts Barcode Compound: _____ Green
Insert: _____ JConcepts Profiled Wheel: _____ JConcepts Hazard
Notes: _____

Body

Body Type: _____ JC High Flow Notes: _____

Race and Vehicle Comments

Qualify: _____ 1 Main: _____ A Finish: _____ 1 TQ:
Comments: #9873 mounted to rear hub to raise link & mounted in the outside hole

Rear Suspension

Reset Form

Wheelbase:
Long
Medium
Short



Anti Roll Bar:

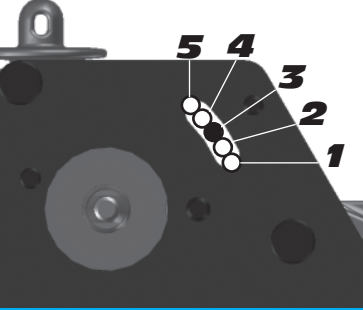
1.5mm
1.8mm
2.0mm
2.2mm
None



Camber: _____ -1*

Ride Height: _____ 23 mm

Toe Block: 3-2
3-3



Washers: _____ 8 mm

Rear Pulley:
20T (standard)
19T (underdrive)

Slipper Coupled
Slipper De-Coupled

Rear Shocks

Spring: _____ Associated Yellow Piston: _____ 1.2
Shock Fluid: _____ Associated 30 Limiter: 0 (8mm Up-travel Limiting)
Rebound: _____ 0 Bladder Emulsion

Radio: _____ Futaba 4PKS-R
Throttle / Brake e.p.a: _____ 100/90
Throttle / Brake expo: _____ 0
Servo: _____ XP 1015 Steering Expo: _____ 0
ESC: _____ LRP Flow ESC Software: _____ v3.3 - 2/2/2/0/0/0
ESC Profile: _____ --- --- ---

Chassis

Chassis Brace: Yes No
Chassis Weight: _____ 4 oz weight under and around servo

Rear Tires

Tire: _____ JConcepts Barcode Compound: _____ Green
Insert: _____ JConcepts Profiled Wheel: _____ JConcepts Hazard
Notes: _____

Track Info

Smooth: Bumpy: Blue Groove:
Traction: High: Medium: Low:
Soft Dirt: Grass: Clay: Wet:
Dusty: Other: _____