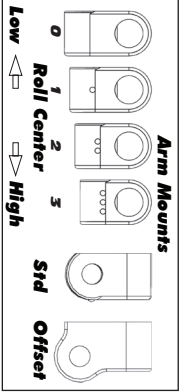
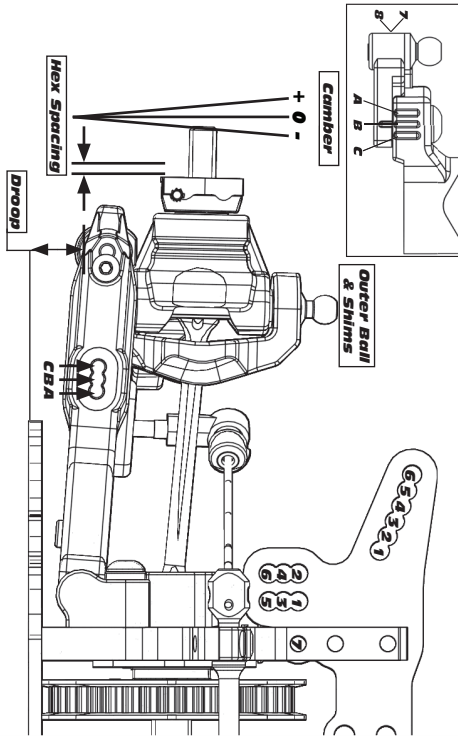
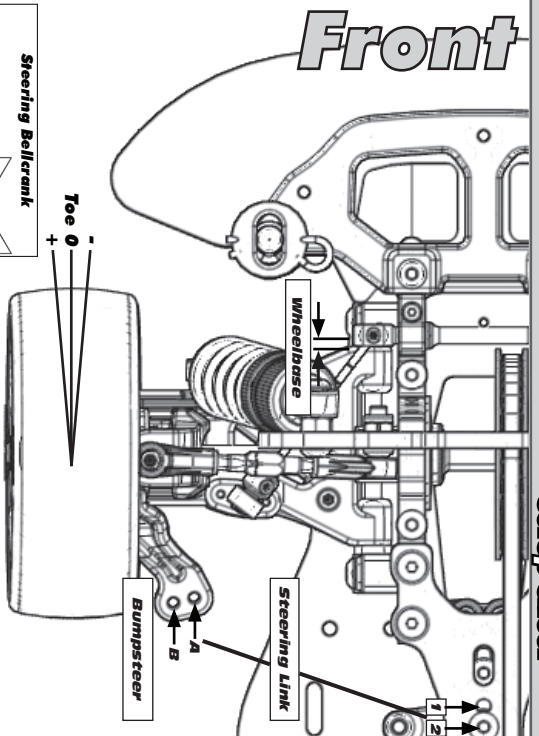


Drivers: _____
Tracks: _____

Conditions: _____

Date: _____
Event: _____

Front



Transmitter

Turning Circle: _____

Steering Expo: _____

Brake E.P. : _____

Throttle Expo: _____

Motor

E.S.C. Type: _____

E.S.C. Settings: _____

Speed Control

S.W. Ver. _____

Gearing

Notes: _____

	Front	Alignment	Rear
Ride Height			
Camber			
Caster			
Rear Hub Toe			
Toe (Total)	N/A		
Hex Spacing			
Wheelbase			
Steering Bellcrank		N/A	
Steering Link		N/A	
Bumpsteer		N/A	

Suspension Geometry

Notes: _____

Shock Position	
Camber Link Position	
Outer Ball & Shims	
FWD Arm Mount	
FWD Mount Shim	
RWD Arm Mount	
RWD Mount Shims	
Droop	
Anti-Roll Bar	

Shocks

Notes: _____

Oil	
Piston	
Rebound	
Spring	

Differentials

Notes: _____

Type	
Setting	
Cam Holder	
Belt Tension Number	

Tires

Notes: _____

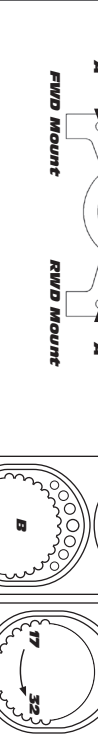
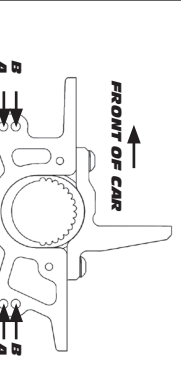
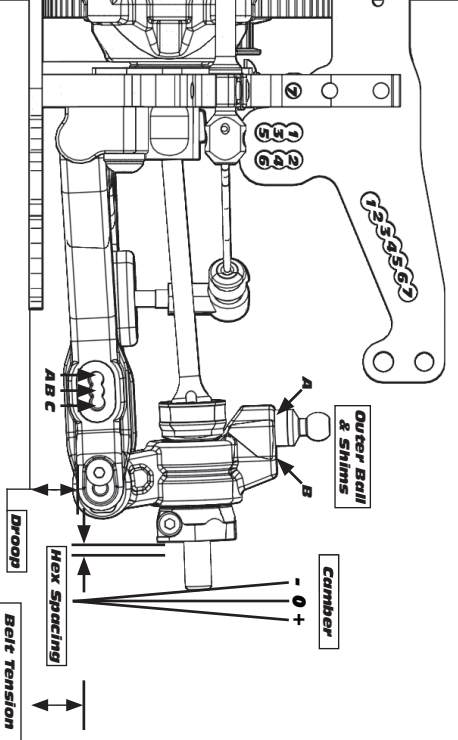
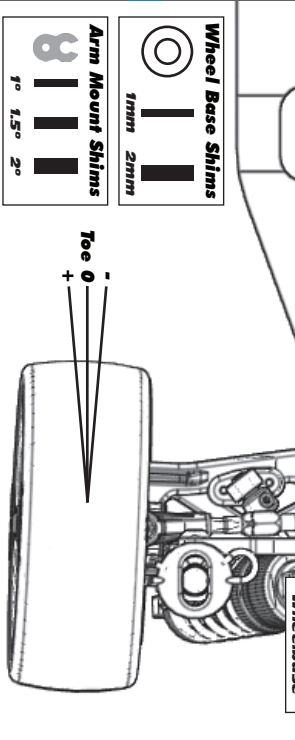
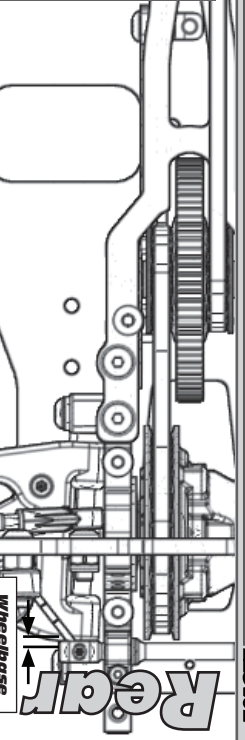
Type	
Tire Diameter	
Insert & Wheel	
Additive & Amount	

Chassis

Classis _____

Top Plate _____

Notes: _____



Battery Placement

Notes: _____

Body & Wing

Notes: _____