

Driver: \_\_\_\_\_

Date: \_\_\_\_\_

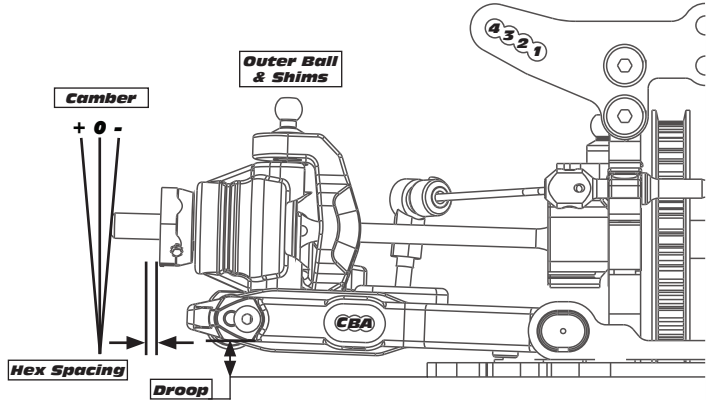
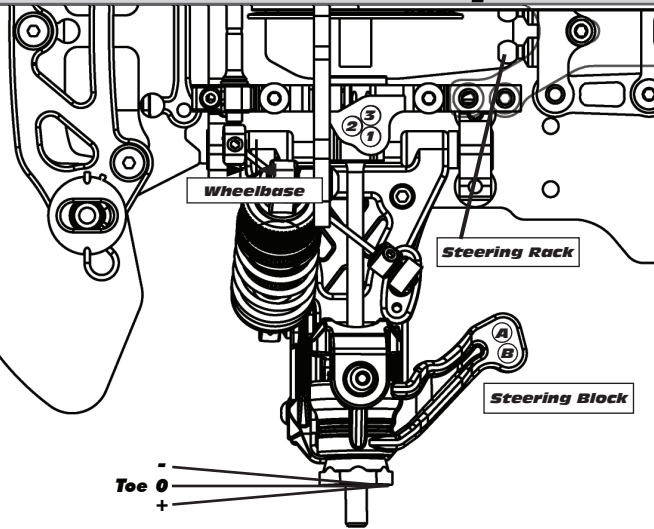
Track: \_\_\_\_\_

Event: \_\_\_\_\_

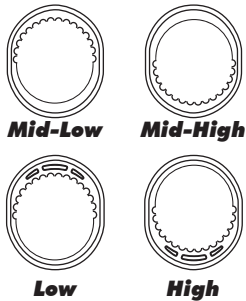
Conditions: \_\_\_\_\_

Rev:1

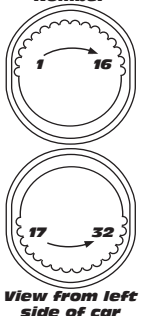
Front



### Cam Position



### Belt Tension Number



Motor

Gearing

Notes:

Notes:

Front	Alignment	Rear
	Ride Height	
	Camber	
	Caster	N/A
N/A	Rear Hub Toe	
	Toe (Total)	
	Hex Spacing	
	Wheelbase	
	Steering Rack Ball & Shims	N/A
	Steering Block Position	N/A
	Steering Block Ball & Shims	N/A

Notes:

### Suspension Geometry

Shock Position	
Camber Link Position	
Inner Ball & Shims	
Outer Ball & Shims	
Outer Arm Mount Insert	
Outer Mount Shims	
Inner Arm Mount Insert	
Inner Mount Shims	
Droop	
Anti-Roll Bar	

Notes:

### Shocks

Oil	
Piston	
Rebound	
Spring	

Notes:

### Differentials

Type	
Setting	
Cam Position	
Belt Tension Number	

Notes:

### Tires

Type	
Tire Diameter	
Insert & Wheel	
Additive & Amount	

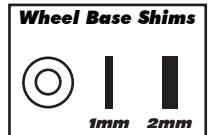
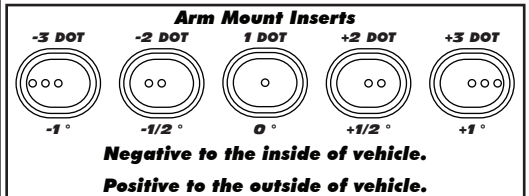
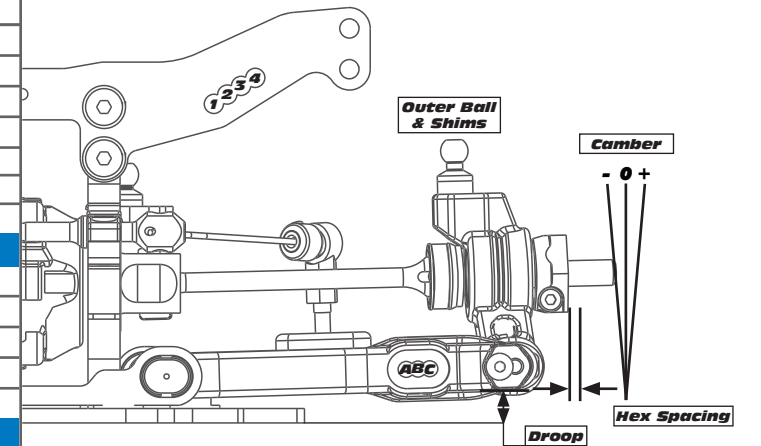
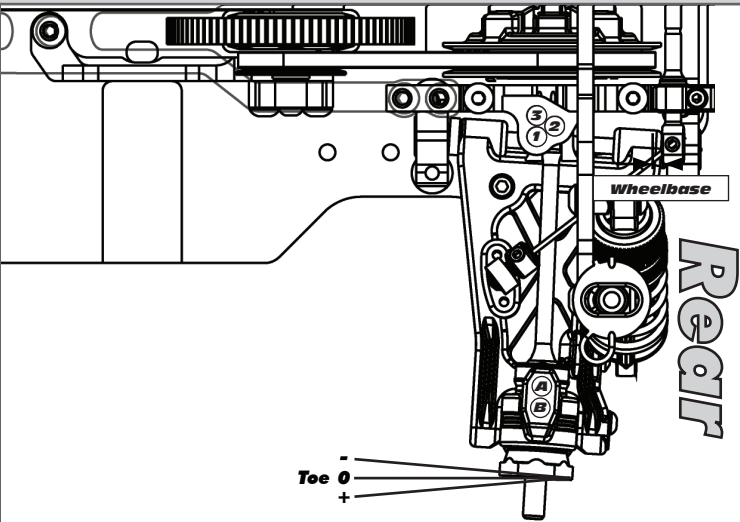
Notes:

### Chassis

Chassis:

Top Plate:

Notes:



### Transmitter

Turning Circle:

Steering Expo:

Brake E.P. :

Throttle Expo:

### Battery Placement

Notes:

### Speed Control

E.S.C. Type:

E.S.C. Settings:

Software Version:

Notes:

### Body & Wing

Notes: