

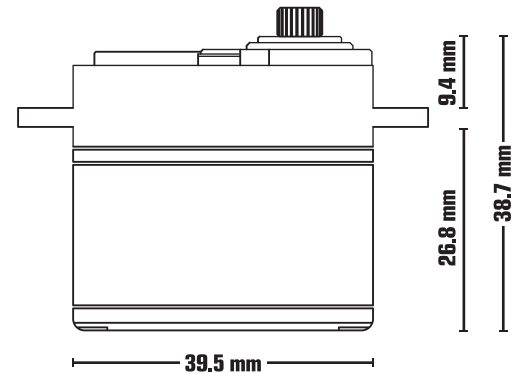
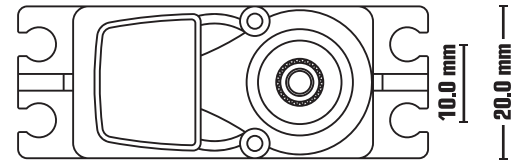


#27106 RS1806A Servo
#27107 RT2207A Servo

HV Digital Competition Servo Manual

Features

- Water and dust resistant
- Full aluminum case
- Powerful coreless motor
- Ultra-precise metal gears
- Dual ball bearings
- High-voltage compatible



Introduction

Congratulations on your Reedy HV Digital Servo purchase. This digital servo is a race proven product featuring numerous enhancements including precision metal gears for added strength and smooth operation, and an advanced microprocessor that improves vehicle control and on track performance. Its state-of-the-art aluminum case increases rigidity while lowering operating temperatures for fade-free operation.

Installation

Install your servo using the mounting hardware included with the vehicle referencing the vehicle's manual for proper servo orientation or use the supplied hardware. A 25-spline servo horn or servo saver suitable for your application must be installed using an M3x10mm screw.

Warranty

Your Reedy servo is warranted to the original purchaser for 120 days from the date of purchase, verified by the sales receipt, against defects in material and workmanship. Product that has been mishandled, abused, used incorrectly, used for an application other than intended, or damaged by the user are not covered under warranty. Associated Electrics Inc. is not liable for any loss or damage, whether direct or indirect, incidental or consequential, or from any special situation, arising from the use, misuse, or abuse of this product.

Spare Parts

27120 RS1806A Gear Set

27121 RT2207A Gear Set

27122 Aluminum Servo Horn (25)

27123 Aluminum Clamping Servo Horn (25)