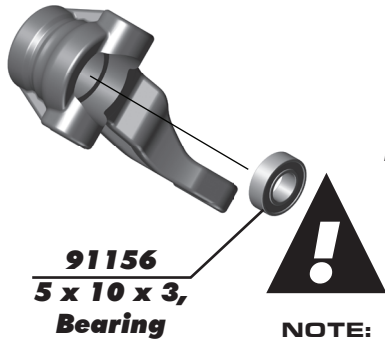


:: 31632 DCV Kit for TC6.2 (requires #91156 bearings)



NOTE:

Replace inner bearing on both steering blocks with 5 x 10 x 3 bearings (#91156)

31634
DCV Stub
Axle

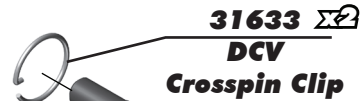
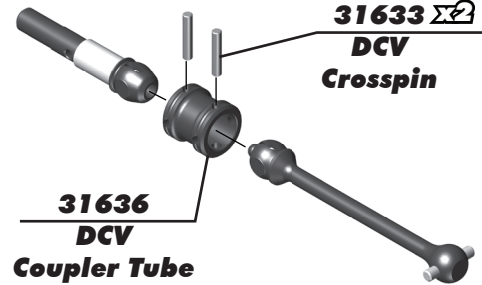
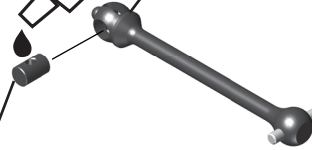


31633 Σ
DCV
Coupler

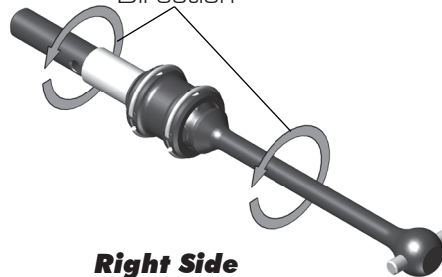
BUILD x2



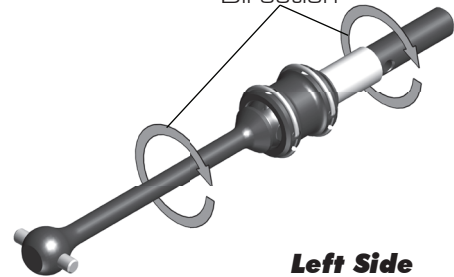
31635
DCV Bone



NOTE:
Rotation
Direction



NOTE:
Rotation
Direction



NOTE:
Direction
of crosspin
clips installed