

#3938 TC3 ONE-WAY FRONT DIFFERENTIAL

Your one-way front differential will turn the front wheels when power is applied. When braking, the front wheels will be allowed to free spin, giving you better cornering ability. We recommend the one-way on high traction surfaces where braking ability by the rear wheels alone is sufficient.

Step 1

Remove the front differential from your car and retain the shims and #3976 bearings.

Step 2

Install the #3939 ring gear onto the #3967 one-way hub using the four #3939 screws.

Step 3

Using a small Allen wrench, apply a small amount of the #6636 Associated diff lube to the inside of the one-way bearings. Also apply a thin coat of lube to the #3966 one-way outdrive shafts. Then install the #3966 outdrives into each end of the #3967 one-way hub.

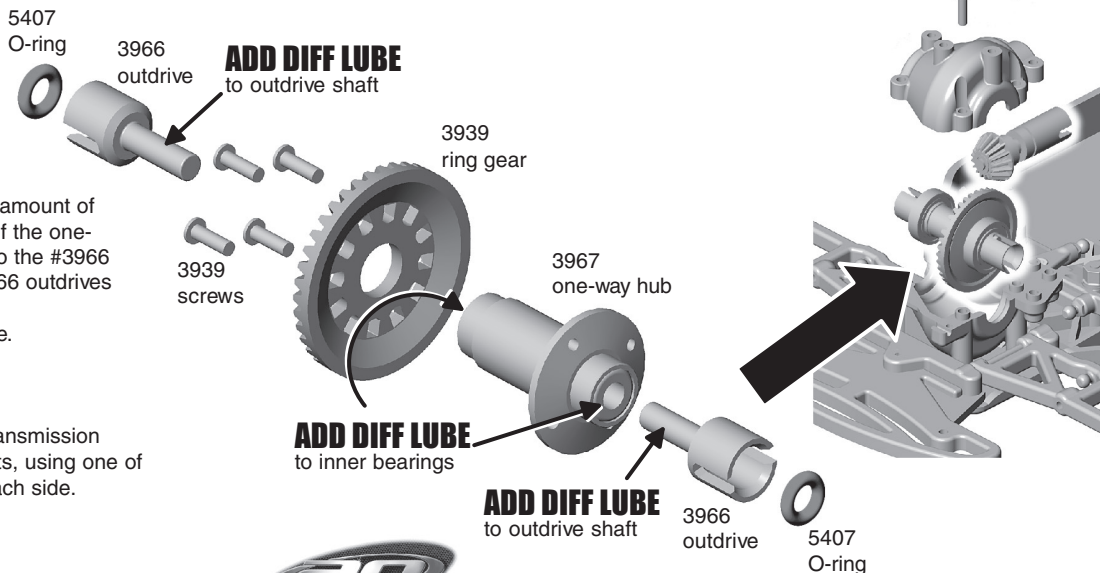
Install the #5407 O-rings into each outdrive.

Step 4

Install the one-way assembly into the front transmission housing the same way that your differential fits, using one of the outdrive shims and #3976 bearings on each side.

Maintenance

Try to keep your one-way diff as clean as possible. Occasionally re-apply a small amount of the #6636 Associated diff lube to the bearings and outdrive shafts.



ASSOCIATED ELECTRICS, INC.