

# #3962 FACTORY TEAM THREADED SHOCK KIT

## step 1

- Slide one black O-ring into the groove in the threaded shock collar.



- Use one drop of oil on the O-ring before you thread on the shock collar.



- Thread on the shock collar. Make sure that the shoulder is facing down when threaded on the body.

shoulder faces down

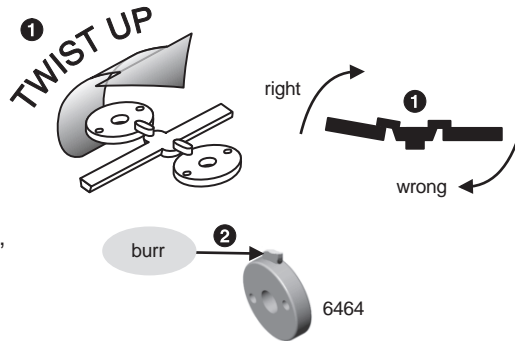


## THE FOLLOWING STEPS ARE TAKEN DIRECTLY FROM THE MANUAL

## step 2

### TRIM SHOCK PISTON

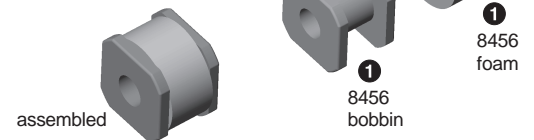
- Burrs on the #6465 shock piston interfere with smooth shock action within the shock body. To remove from tree without creating burrs, twist up, not down. Remove four #2 shock pistons.
- Remove remaining burrs carefully with a hobby knife.



## step 3

### VC FOAM AND BOBBIN

- Soak the #8456 VC foam with #5423 40wt shock oil and install it onto the #8456 VC bobbin.



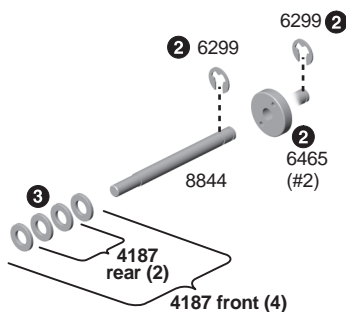
## step 4

### INTERNAL SHOCK ASSEMBLY

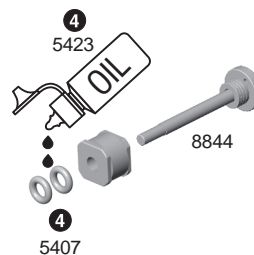
- (Assemble all four shocks at once.) Install the #6469 O-ring over the threads of the shock body.



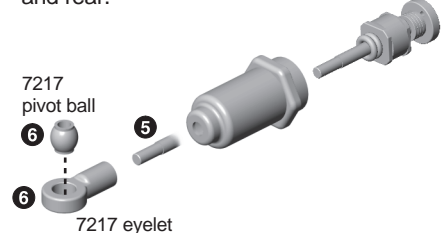
- On the #8844 shock shaft, install a #6299 E-clip on both sides of a #6465 (#2) piston from step #1.
- Slide four #4187 limiters over two front #8844 shock shafts and two limiters over two rear #8844 shafts.



- Slide the VC foam/bobbin assembly over the #8844 shaft and then two #5407 O-rings. Place a couple drops of oil on the O-rings.



- Insert the assembly into the shock body and pull the shaft through firmly to seat the VC bobbin at the base of the shock bore.
- Push the #7217 pivot ball and eyelet together. As you hold the shaft with a rag and needlenose pliers next to threads, screw the eyelets onto the end of the shock shaft.



## PARTS INCLUDED IN THE #3962 THREADED SHOCK KIT

#3963 Threaded Shock Body, qty 4  
 #3963 Threaded Collar, qty 4  
 #3963 Threaded Collar O-Ring, Qty 4  
 #4187 Washer, qty 12  
 #5407 Silicone O-Ring, qty 8  
 #6299 E-Clips, qty 12  
 #6428 Plastic Shock Cap, qty 4  
 #6465 Shock Piston, 1 set

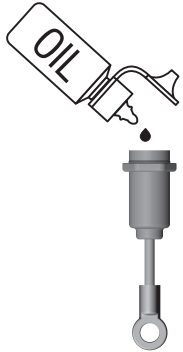
#6469 Shock Cap O-Ring, qty 4  
 #6471 Shock Rod End, qty 2  
 #6474 Spring Clamps and Cups, qty 1 set  
 #7217 Plastic Pivot Ball, qty 4  
 #7217 Shock Eyelet, qty 4  
 #8456 VCS Shock Rebuild Kit, qty 1  
 #8844 Shock Shaft, .35, qty 4

### PARTS NOT INCLUDED:

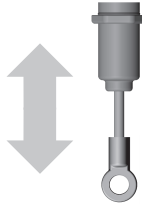
Springs (step 6)  
 Shock mounting hardware (steps 7 & 8)

## step 5

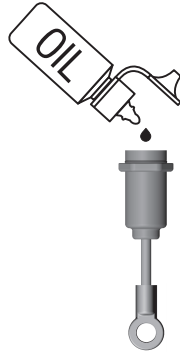
- 1 Holding the shock upright, fill with oil to the top of the body.



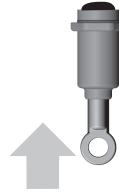
- 2 Slowly move the shaft up and down several times to allow air bubbles to escape to the top.



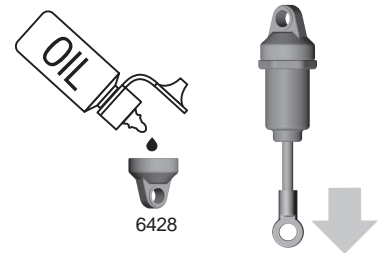
- 3 Refill with oil to the top of the body.



- 4 Push the shaft up until the piston is level with the top of the body. The oil will bulge up above the shock body.

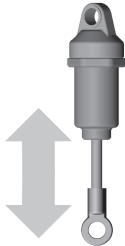


- 5 Fill The #6428 shock cap about halfway with oil and install onto the body. Try to retain as much oil as possible during assembly. The shaft will extend out as you tighten the cap down.

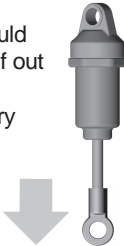


### 6 SETTING THE REBOUND

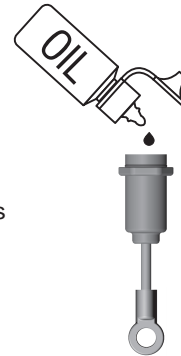
Move the shock shaft in and out a few times an then push it all the way in. It should be easy to push the shaft in until the eyelet hits the body



- 7 Then the shaft should push itself out to its full length very slowly.



- 8 If the shock does not push out this far there is not enough oil in it. Add just a little oil and try steps 6-7 again.

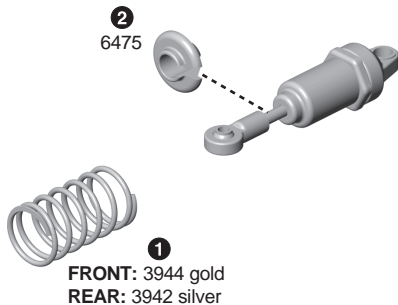


- 9 If the shock rebounds too fast, or you cannot push the shaft in until the eyelet hits the body, there is too much oil. Loosen the cap about a full turn and pump out a small amount of oil by pushing the shaft in. Retighten the cap and try steps 6-7 again.

## step 6

### FINAL SHOCK ASSEMBLY

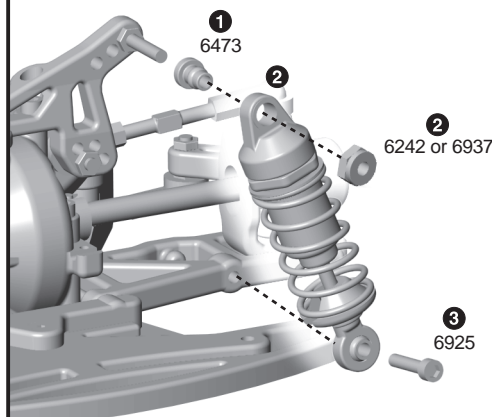
- Slide on the #3944 gold spring on the front shocks, and #3942 silver spring on the rear shocks.
- Compress the spring to add the #6475 spring cup.



## step 7

### FRONT SHOCK MOUNTING

- Add the #6473 shock bushing to the shock tower.
- Push the shock cap over the bushing and add the #6242 locknut or #6932 blue locknut. **Do not overtighten or the shock will bind.**
- Fasten the lower shock into the arm with the #6925 screw.
- Do the other front shock.



## step 8

### REAR SHOCK MOUNTING

- Add the #6473 shock bushing to the rear shock tower.
- Push the shock cap over the bushing and add the #6242 locknut or #6932 blue locknut. **Do not overtighten or the shock will bind.**
- Fasten the lower shock into the arm with the #6925 screw.
- Do the other rear shock.

