

BLACKBOX 1000Z+

ELECTRONICS SET-UP SHEET

| | |
|----------------------------|--------------------|
| Voltage input: | 2S LiPo |
| On resistance (Ω) | 0.00014 |
| Continuous current (A) | 100 |
| Dimensions (mm) | 40.2 x 31.0 x 21.9 |
| Weight w/o wires & fan (g) | 40 |
| Motor limit | 5.3T |
| BEC | 6.0 / 3A |

DRIVER: _____ EVENT: _____ TRACK: _____ DATE: _____

VEHICLE: _____ CONDITIONS: _____ BATTERY: _____ TEMP: _____

ESC INFO

CAPACITOR TYPE:

WIRE SIZE:

BRAKE

DRAG BRAKE:

BRAKE FREQ:

MAX BRAKE STRENGTH:

THROTTLE

THROTTLE FREQ:

POWER PROFILE:

TIMING:

MISC CONTROL

OPERATION MODE:

MOTOR SETTINGS

MOTOR:

WIND:

TIMING:

ROTOR:

FDR/ROLLOUT:

TEMPERATURE:

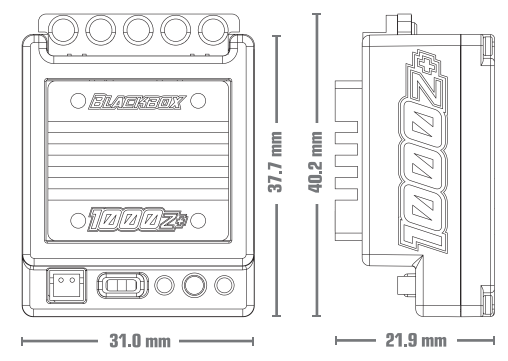
RADIO SETTINGS

THROTTLE EPA:

BRAKE EPA:

THROTTLE EXPO:

BRAKE EXPO:



NOTES:



www.facebook.com/ReedyPower

twitter.com/ReedyPower