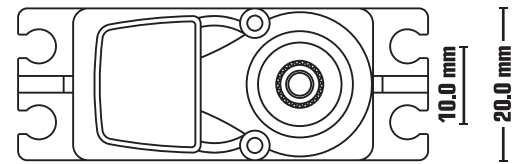
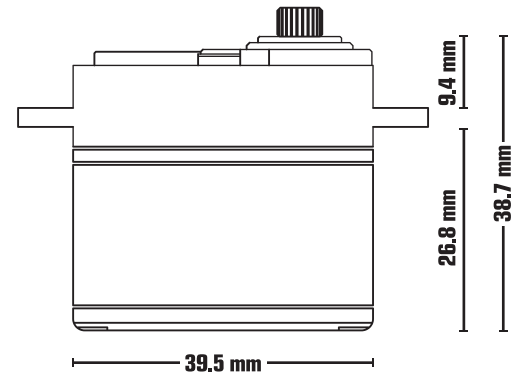


#27100 RS1206 Servo
#27101 RT1508 Servo



HV Digital Competition Servo Manual



Introduction

Congratulations on your Reedy HV Digital Servo purchase. This digital servo is a race proven product featuring numerous enhancements including precision metal gears for added strength and smooth operation, and an advanced microprocessor that improves vehicle control and on track performance. Its state-of-the-art aluminum mid case lowers operating temperatures for fade-free operation.

Installation

Install your servo using the mounting hardware included with the vehicle referencing the vehicle's manual for proper servo orientation or use the supplied hardware. A 25-spline servo horn or servo saver suitable for your application must be installed using a M3x10mm screw.

Warranty

Your Reedy servo is warranted to the original purchaser for 120 days from the date of purchase, verified by the sales receipt, against defects in material and workmanship. Product that has been mishandled, abused, used incorrectly, used for an application other than intended, or damaged by the user are not covered under warranty. Associated Electrics Inc. is not liable for any loss or damage, whether direct or indirect, incidental or consequential, or from any special situation, arising from the use, misuse, or abuse of this product.

Spare Parts

27102 RS1206 Case Set
27103 RS1206 Gear Set

27104 RT1508 Case Set
27015 RT1508 Gear Set